

AIRMAN

SG

INSTRUCTION MANUAL

ENGINE GENERATOR

SDG100S-8B1

SDG125S-8B1

SDG150S-8B1

[ENVIRONMENTAL CONTAINMENT]
BASE TANK TYPE]

Please be sure to read this manual
before using this machine.

HOKUETSU INDUSTRIES CO., LTD.

Preface

Thank you for having selected our "AIRMAN" product.

- ◆ This manual explains about the proper operation and daily inspection and maintenance of this machine.
- ◆ In order to use a machine safely, people with sufficient knowledge and sufficient technology need to deal with it.
- ◆ Before operating the machine, read the manual carefully, fully understand its operation and maintenance requirement. Maintain "SAFETY OPERATION AND PROPER MAINTENANCE OF THE MACHINE".

Be sure to follow safety warnings and cautions given in the manual.
Unsafe operation could cause serious injury or death.

- ◆ For details of handling, maintenance and safety of the engine, see the Engine Operation Manual.
- ◆ Keep the manual available at all times for the operator or safety supervisor.
- ◆ When this manual is missing or damaged, order it from our office nearby or distributor.
- ◆ Be sure that the manual is included with the machine when it is handed over to another user.
- ◆ There may be some inconsistency in detail between the manual and the actual machine due to improvements of the machine. When you have anything unclear or you want to advise us, contact our office nearby or distributor.
- ◆ If you have any questions about the machine, please inform us the model and serial number. A plate stamped with the model and serial number is attached to side of the machine.

| ENGINE GENERATOR | |
|-------------------------------|--------------------------|
| MODEL | <input type="text"/> |
| SER. NO. | <input type="text"/> |
| GEN. OUTPUT | <input type="text"/> kVA |
| VOLTAGE | <input type="text"/> V |
| FREQUENCY | <input type="text"/> Hz |
| POWER FACTOR | 80% PHASE 3 |
| RULE | JEM 1398 |
| NET DRY MASS | <input type="text"/> kg |
| OPERATING MASS | <input type="text"/> kg |
| HOKUETSU INDUSTRIES CO., LTD. | |
| MADE IN JAPAN | |

A040491

- ◆ Each illustrated figure (Fig.) has a number (for instance, A040491) at the right bottom. This number is not a part number, but it is used only for our reference number.





Table of Contents

| | |
|----------------------------------------------------------------------------|------------|
| 1. Safety | 1-1 |
| 1.1 Caution before Operation | 1-2 |
| 1.2 Caution during Operation | 1-4 |
| 1.3 Caution during Inspection and Maintenance | 1-6 |
| 1.4 Safety Warning Labels | 1-8 |
| 2. Part Names | 2-1 |
| 2.1 Internal Components | 2-1 |
| 3. Installation | 3-1 |
| 3.1 Transporting Unit..... | 3-1 |
| 3.2 Conditions of Unit Installation | 3-2 |
| 3.3 Grounding Method..... | 3-5 |
| 3.4 Selecting Cable | 3-8 |
| 3.5 Selector Valve of Fuel Pipe | 3-9 |
| 4. Operation | 4-1 |
| 4.1 Instrument panel..... | 4-1 |
| 4.2 Protection device..... | 4-2 |
| 4.3 Connecting load | 4-5 |
| 4.4 Engine Oil•Coolant•Fuel..... | 4-9 |
| 4.5 Check before Starting the Machine | 4-10 |
| 4.6 Unit Operation..... | 4-13 |
| 4.7 Stopping Procedures | 4-16 |
| 4.8 Emergency Stop | 4-17 |
| 4.9 Air Bleeding..... | 4-17 |
| 5. Periodic Inspection/Maintenance | 5-1 |
| 5.1 Important items as Periodic and Maintenance or after Maintenance | 5-1 |
| 5.2 Daily Inspection and keeping Operation Log | 5-2 |
| 5.3 Periodic Inspection List | 5-3 |
| 5.4 Periodic Replacement of Parts..... | 5-4 |
| 5.5 Maintenance..... | 5-5 |
| 5.6 Periodical Load Test to be Performed | 5-14 |
| 6. Maintenance/Adjustment | 6-1 |
| 6.1 Maintenance of Battery | 6-1 |
| 6.2 Troubleshooting..... | 6-3 |
| 7. Storage of the Unit | 7-1 |
| 7.1 Preparation for Long-term Storage | 7-1 |
| 8. Specifications | 8-1 |
| 8.1 Specifications | 8-1 |
| 8.2 Outline drawing | 8-4 |
| 9. Wiring Diagram | 9-1 |
| 9.1 Generator Wiring Diagram..... | 9-1 |
| 9.2 Engine Wiring Diagram | 9-2 |

1.Safety

This manual explains and illustrates general requirements for safety and cautions for safety.

Please read these safety requirements carefully and fully understand the contents before starting the machine.

For your better recognition, according to the degree of potential danger harmful to a human body, safety messages are classified into three hierarchical categories, namely, , , and  with a caution symbol  – attached to each message.

When one of these messages is found, please take preventive measures for safety to carry out “SAFETY OPERATION AND PROPER MAINTENANCE OF THE MACHINE”.



DANGER indicates an imminently hazardous situation which, if not avoided, will result in death or serious injury. This signal word is to be limited to the most extreme situations.



WARNING indicates a potentially hazardous situation which, if not avoided, could result in death or serious injury.



CAUTION indicates a potentially hazardous situation which, if not avoided, may result in minor or moderate injury. It may also be used to alert against unsafe practices.



IMPORTANT indicates important caution messages for the performance or durability of the machine, which has no concern to injury or accident of or to a human body.

Follow warnings mentioned in this manual. This instruction manual does not describe all safety items. We, therefore, advise you to pay special attention to all items (even though they may not be described in the manual) for your safety.

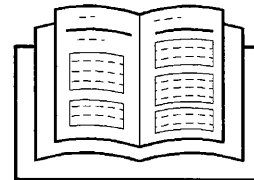
1.Safety

1.1 Caution before Operation

WARNING

Follow the safety instructions

- Read each instruction plate which is displayed in the manual or on the machine carefully, understand its content and follow the indications thereof.
- Keep the Safety Warning labels clean. When they are damaged or missing, apply new ones.
- Do not modify the machine without prior approval. The safety may be compromised, functions may be deteriorated, or machine life may be shortened.
- Never use the machine for the other purposes than power supply. Otherwise, serious accidents may occur.

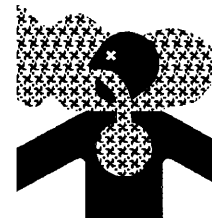


TR0086

WARNING

Ventilation

- Exhaust gas from the engine is poisonous, and could cause casualties when it is inhaled.
Avoid using the machine in an insufficiently ventilated building or a tunnel.



PC002

WARNING

Handling battery

- Keep flames away from battery.
Battery may generate hydrogen gas and may explode.
- Battery electrolyte is dilute sulfuric acid.
In case of mishandling, it could cause skin burning.
- Wear protective gloves and safety glasses when handling a battery.
- Dispose of battery, observing local regulations.



D004



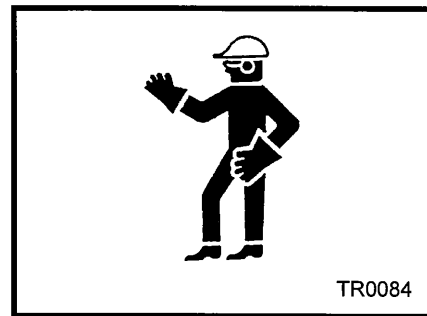
TR0093

1.Safety

CAUTION

- When handling machine, do not wear;
- loose clothes
- clothes with unbuttoned sleeves
- hanging tie or scarf
- dangling jewelry
- Such outfit could be caught in the machine or dragged in the rotating portion of the machine, and could cause a serious injury.

Safety outfit



CAUTION

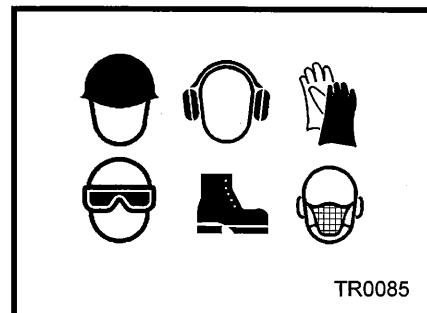
Maintain both physical and mental health

- Do not operate the machine when you are tired or drunk or under the influence of drugs. Otherwise, a hasty conclusion or careless handling may cause unexpected injury or accident. Manage your physical and mental health and be cautious in handling the machine.

CAUTION

- Please wear protection implements, such as a helmet, protection glasses, earplugs, safety shoes, a glove, and a protection-against-dust mask, according to the contents of work for safety.

Protection equipments



CAUTION

- Have first-aid boxes and fire-extinguishers near the machine ready for emergency situations such as injuries and a fire.
- It is advisable to have a list of phone numbers of doctors, ambulance and the fire department available in case of emergency.

Safety fittings



CAUTION

Safety around the machine

- Such things as unnecessary equipment and tools, cables, hoods, canvas sheets and pieces of wood which are a hindrance to the job, have to be cleared and removed. This is because operators and personnel nearby may stumble on them and may be injured.

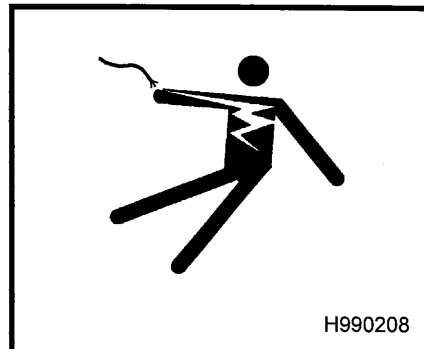
1.Safety

1.2 Caution during Operation

WARNING

Never touch the output terminals and interior of control board

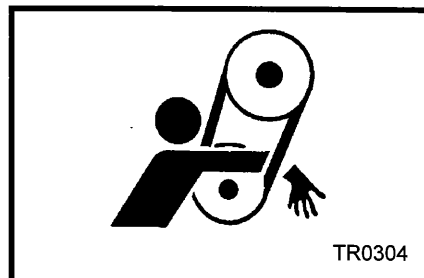
- Never touch the output terminals during operation. Notice that the voltage of several hundreds volt is applied to the output terminal.
- When removing or connecting a connecting cable for changing load, be sure to switch OFF the circuit breaker, remove the starter key from the starter switch, then carry out a work. The operator must keep the key during operation. Neglecting the cautions mentioned above, and a third party starting the machine during operation may cause serious accidents such as electric shock.



WARNING

Hands off from rotating parts and belts

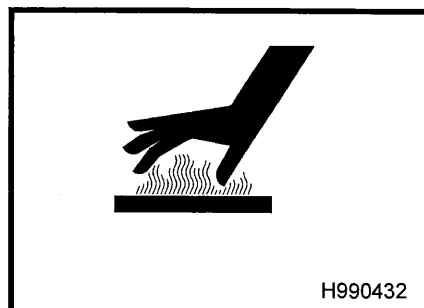
- Keep hands off from the rotating portion or belts while running. It could cause serious injuries if hands should be caught in.



CAUTION

Do not remove radiator cap during operation

- Do not, under any circumstance, open the radiator cap while running or immediately after stopping operation. Otherwise high temperature steam jets out and this could cause scalding.



1.Safety

CAUTION

- Never work nearby hot portions of the machine while it is running.
- Do not touch hot portions of the machine while inspecting the machine when running.
- Such parts as engine, exhaust manifold, exhaust pipe, muffler, and radiator are especially hot, so never touch those parts, because it could cause scalding.
- Coolant water and engine oil are also very hot and dangerous to touch. Avoid checking or refilling them while the machine is running.

Do not touch hot parts



H990432

CAUTION

- Do not, under any circumstance, bring lit cigarettes or matches near such oils as diesel fuel oil, and engine oil, etc. They are extremely flammable and dangerous, so be careful when handling.
- Refilling oils should be done in an outdoor well-ventilated place.
- Refuel after stopping the engine, and never leave the fuel nearby the machine. Do not spill. It may cause a fire. When it is spilt, wipe it up completely.
- **Do not fill fuel oil up to the cap level. When fuel tank is filled up to the cap level, fuel oil will be overfilled due to volume expansion caused by rise of ambient temperature. Further, fuel will be possibly spilled from fuel tank due to vibration caused during movement and/or transportation of machine.**
- Such parts as muffler and exhaust pipe can be extremely hot. Remove twigs, dried leaves, dried grass and waste paper, etc. from the exhaust outlet of the muffler.
- Keep a fire extinguisher available by the machine in case of unexpected fire.

Fire prevention



D004



H990433

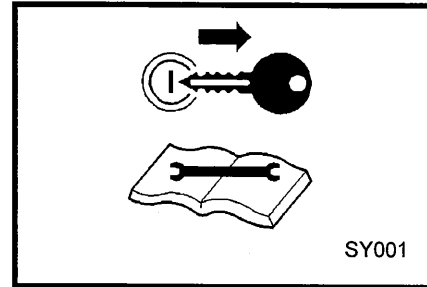
1.Safety

1.3 Caution during Inspection and Maintenance

WARNING

Hang a "Now Checking and under Maintenance" tag

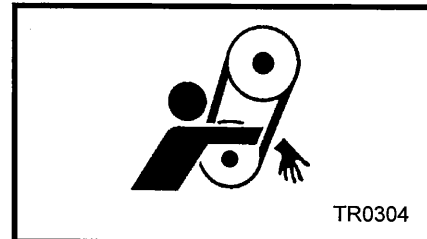
- Before starting inspection, switch off the circuit breaker of this machine, remove the starter key from the starter switch, and then hang a "Now Checking and under Maintenance" tag where it can be easily seen. The checker must keep the key during checking and maintenance.
- Remove the negative (-) side cable from the battery. If the above procedure is neglected, and another person starts operating the machine during check or maintenance, it could cause serious injury.



WARNING

Adjusting tension of belt

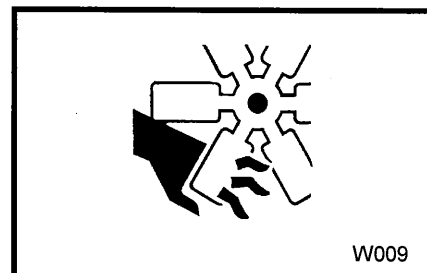
- Be sure to stop the engine and remove the starter key whenever the tension of the belt is to be adjusted.
- If the machine is running, it might catch the operator's hand into the belts, and this could cause a serious injury.



WARNING

Hands off from cooling fan

- Be sure to stop the engine and remove the starter key whenever the tension of the belt is to be adjusted.
- If the machine is running, it might catch the operator's hand into the belts, and this could cause a serious injury.



WARNING

Cleaning by air-blow

- When cleaning dust accumulated in such devices as the air-filter, etc., by blowing compressed air, wear safety glasses, etc. to protect your eyes.

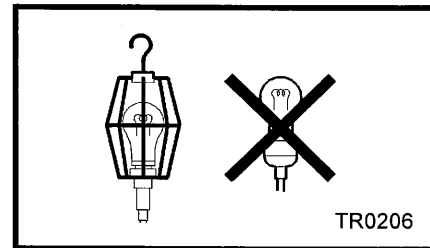


1. Safety

CAUTION

- It is recommended to use a lamp with safety guard fitted where the site is dark. Operating the machine gropingly or by relying on one's intuition could cause unexpected accidents. Any lamps without safety guard are not recommended since they can be broken and they could ignite flammables such as fuel, etc.

Lighting apparatus



CAUTION

- Be sure to stop the engine, and let the coolant water sufficiently cool down before draining it.
- If the drain valve is opened before the coolant water is cooled enough, hot water could jet out, and it could cause scalding.

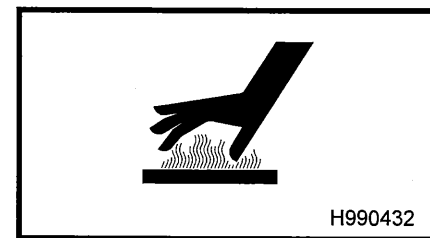
Opening coolant water drain valve



CAUTION

- After stopping the engine, wait 10 to 20 minutes until the engine oil cools off. Then check the level of the engine oil, or refill or drain the oil.
- The engine oil is very hot during operation and just after it stops. Be careful because the hot oil also pressurized blows off and it can cause burning.

Refilling or draining of engine oil



CAUTION

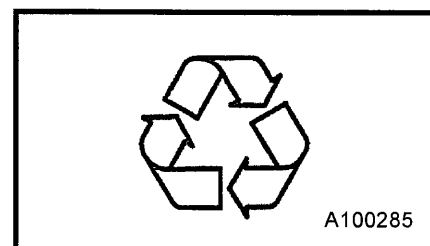
- When washing the machine, cover the control panel, generator and its electric parts to prevent them from being exposed to splashing water and avoid possible decrease in electrical insulation or other troubles to the machine.
- Dust, sand and dirt accumulated inside control panel could cause malfunction or trouble of the instruments. Clean them by blowing compressed air.

Caution of the cleaning

CAUTION

- Waste liquid from the machine contains harmful material. Do not discharge it onto the ground or into the river, lake or sea. Such material will pollute the environment.
- Be sure to use a container to hold the waste liquid from the machine.
- Be sure to follow the designated regulations when disposing of oil, fuel, coolant (antifreeze), filter, battery or other harmful materials.

Treatment of organic wastes











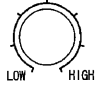


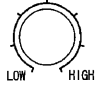


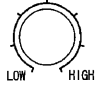


1. Safety

1.4 Safety Warning Labels

Following labels are attached to the machine.

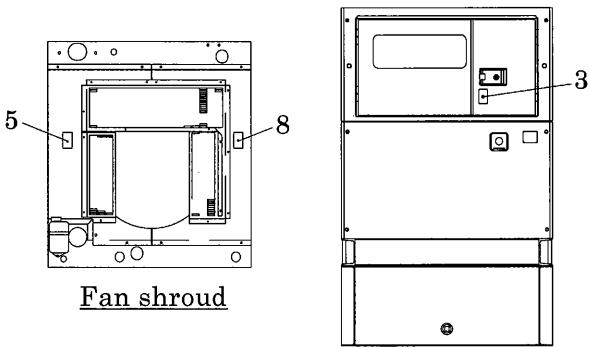
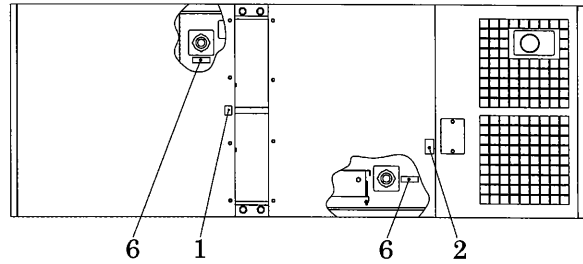
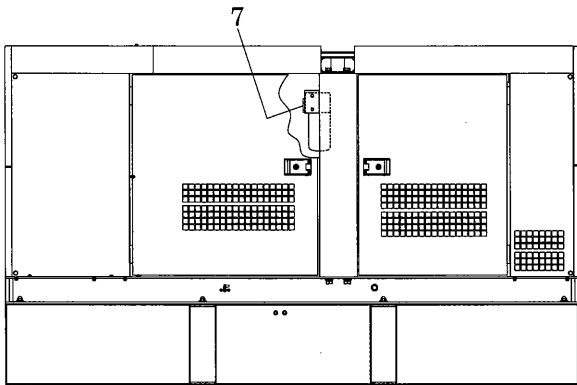
Keep them clean at all times. If they are damaged or missing, immediately place an order with your nearest dealer for replacement. Part numbers are indicated on the lower right corner of the label.

Adhere a new one to the original location.

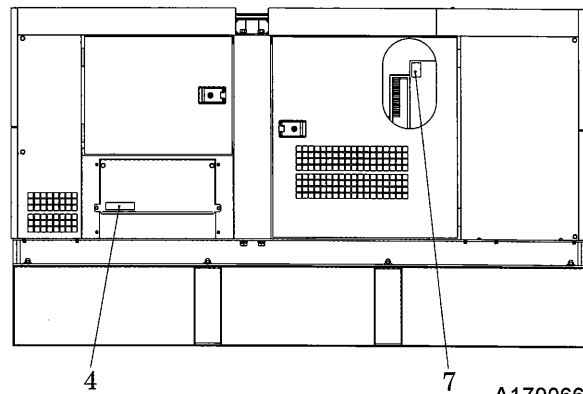
| | | | | | | | | | |
|-------------------------------------------------------------------------------------------------------------------------------------------------------------------------------------------------------------------------------------------------------------------------------------------------------------------------------------------------------------------------------------------------------------------------------------------------------------------------------------------------------------------------------------------------------------------------------------------------------------------------------------------------------------------------------------------------------------------------------------------------------------------------------------------------------------------------------------------------------------------------------------------------------------------------------------------------------------------------------------------------------------------------------------------------------------------------------------------------------------------------------------------|---------------------------------------------------------------------------------------------------------------------------------------------------------------------------------------------------------------------------------------------------------------------------------------------|--------------------------------------------------------------------------------------------------------------------------------------------------------------------------------------------------------------------------------------------------------------------------------------------------------------------|---------------------------------------------------------------------------------------------------------------------------------------------------------------------------------------------------------------------------------------------------------------------------------------------------------------------------------------------------------------------------------------------------------------|--------------------------------------------------------------------------------------------------------------------------------------|------------------------------------------------------------------|-------------------------------------------------------------------------------------------------------------|-------------------------------------------------------------------------------------------------------------|-------------------------------------------------------------------------------------------------------------------------------------------------------------------------------------------------------------------------------------------------------------------------------------------------------------------------------------------------------------------------------------------|--|
| <p>1</p>  <p>LIFTING BAIL</p> <p>39176 69300</p> | <p>2</p> <p>CAUTION</p>  <p>PREVENT BURNING ACCIDENT</p> <p>Do not open radiator cap while it is still hot.</p> <p>39176 69600</p> | <p>3</p> <p>WARNING</p>  <p>BEWARE OF EXHAUST GASES</p> <p>When you operate machine INDOORS or in TUNNEL, provide good ventilation. Poor ventilation can cause fatal accident.</p> <p>39176 73300</p> | <p>4</p>  <p>WARNING</p> <p>Do not touch live electrical parts. Always wear dry insulating gloves. Do not operate the unit in the rain, around standing water or when wet. Maintain all electrical cords and connections in proper condition. Always ground the generator to earth before operating. 39176 62900</p> | | | | | | |
| <p>5</p> <p>WARNING</p>  <p>BEWARE OF ENTANGLEMENT</p> <p>Keep your hands AWAY from fan during operation. Entanglement in the fan can cause serious injury.</p> <p>39176 73500</p> | <p>6</p>  <p>FLAMMABLES</p> <p>DIESEL FUEL</p> <p>EPA REGULATION</p> <p>ULTRA LOW SULFOR FUEL ONLY.</p> <p>DIESEL A TRES FAIBLE TENEUR EN SOUFRE UNIQUEMENT.</p> <p>39178 22031</p> | <p>7</p> <p>CAUTION</p>  <p>PREVENT BURNING ACCIDENT</p> <p>When work is required near hot parts, wait for the parts to cool down fully before starting work.</p> <p>39176 69500</p> | <p>8</p> <p>WARNING</p>  <p>BEWARE OF ENTANGLEMENT</p> <p>Keep your hands AWAY from moving parts such as V-belts, pulleys etc. Entanglement in them can cause serious injury.</p> <p>39176 73800</p> | | | | | | |
| <p>9</p> <table border="1"> <tr> <td data-bbox="196 1417 443 1496"> <p>MAIN CIRCUIT BREAKER</p> <p>Main breaker must be "ON" to power terminal connections and single-phase receptacle plugs.</p> </td> <td data-bbox="467 1417 667 1496"> <p>CAUTION</p> <p>DO NOT SWITCH WHILE UNIT IS RUNNING</p> </td> </tr> <tr> <td data-bbox="196 1518 323 1686"> <p>VOLTAGE ADJUSTER</p>  </td> <td data-bbox="331 1518 459 1686"> <p>CURRENT SELECTOR</p>  </td> </tr> <tr> <td colspan="2" data-bbox="196 1697 459 1809"> <p>WARNING</p>  <p>Do not touch live electrical parts. Always wear dry insulating gloves. Do not operate the unit in the rain, around standing water or when wet. Maintain all electrical cords and connections in proper condition. Always ground the generator to earth before operating.</p> </td> </tr> </table> <p>39178 50820</p> | | | | <p>MAIN CIRCUIT BREAKER</p> <p>Main breaker must be "ON" to power terminal connections and single-phase receptacle plugs.</p> | <p>CAUTION</p> <p>DO NOT SWITCH WHILE UNIT IS RUNNING</p> | <p>VOLTAGE ADJUSTER</p>  | <p>CURRENT SELECTOR</p>  | <p>WARNING</p>  <p>Do not touch live electrical parts. Always wear dry insulating gloves. Do not operate the unit in the rain, around standing water or when wet. Maintain all electrical cords and connections in proper condition. Always ground the generator to earth before operating.</p> | |
| <p>MAIN CIRCUIT BREAKER</p> <p>Main breaker must be "ON" to power terminal connections and single-phase receptacle plugs.</p> | <p>CAUTION</p> <p>DO NOT SWITCH WHILE UNIT IS RUNNING</p> | | | | | | | | |
| <p>VOLTAGE ADJUSTER</p>  | <p>CURRENT SELECTOR</p>  | | | | | | | | |
| <p>WARNING</p>  <p>Do not touch live electrical parts. Always wear dry insulating gloves. Do not operate the unit in the rain, around standing water or when wet. Maintain all electrical cords and connections in proper condition. Always ground the generator to earth before operating.</p> | | | | | | | | | |

1.Safety

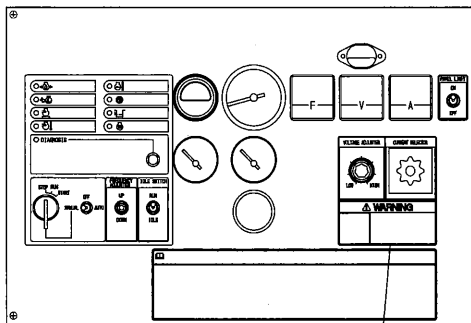
- The pasting position of safe warning label is as follows.



Fan shroud



A170066



9 A070307

DETAIL OF INSTRUMENT PANEL

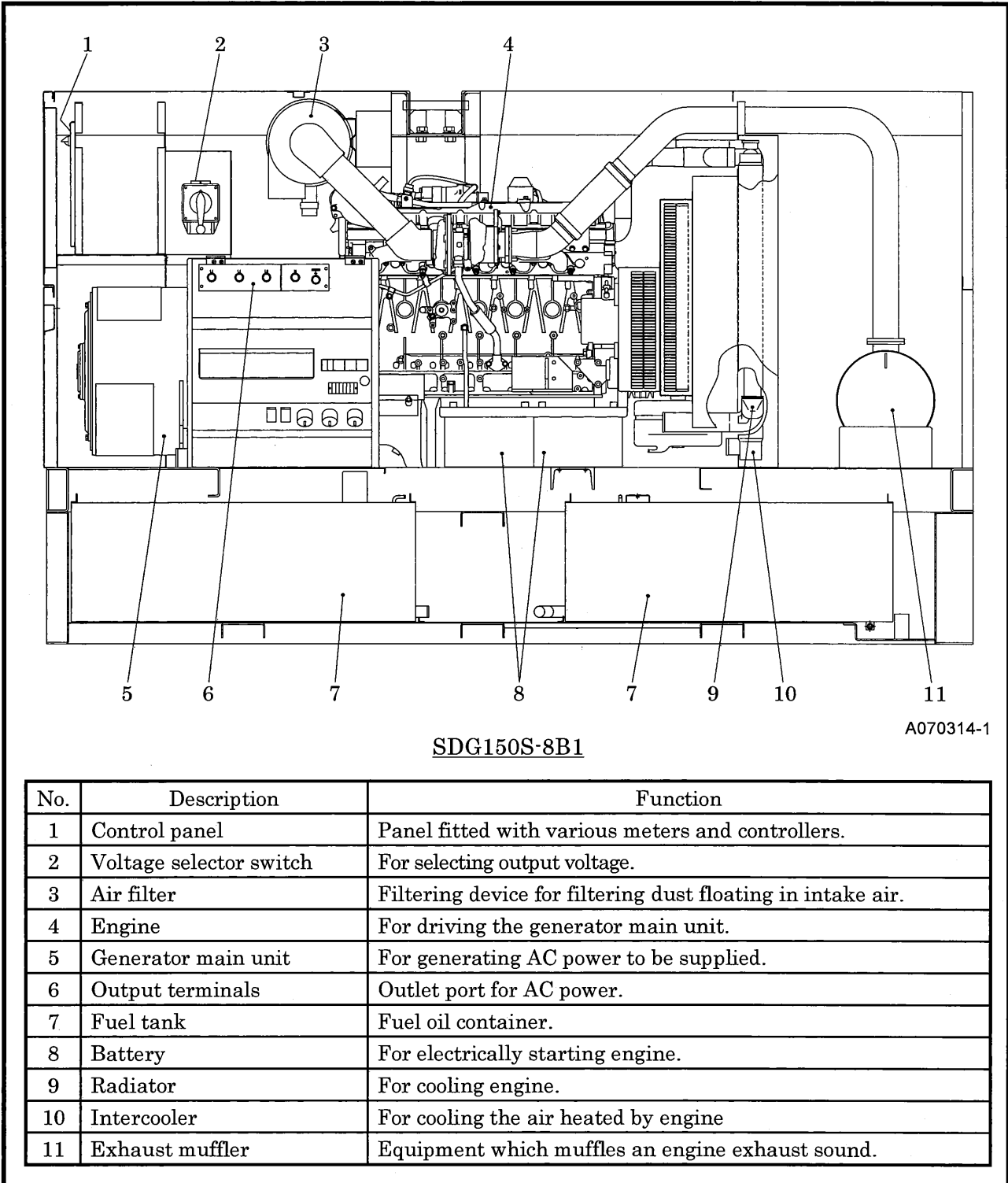
SDG150S-8B1

MEMO

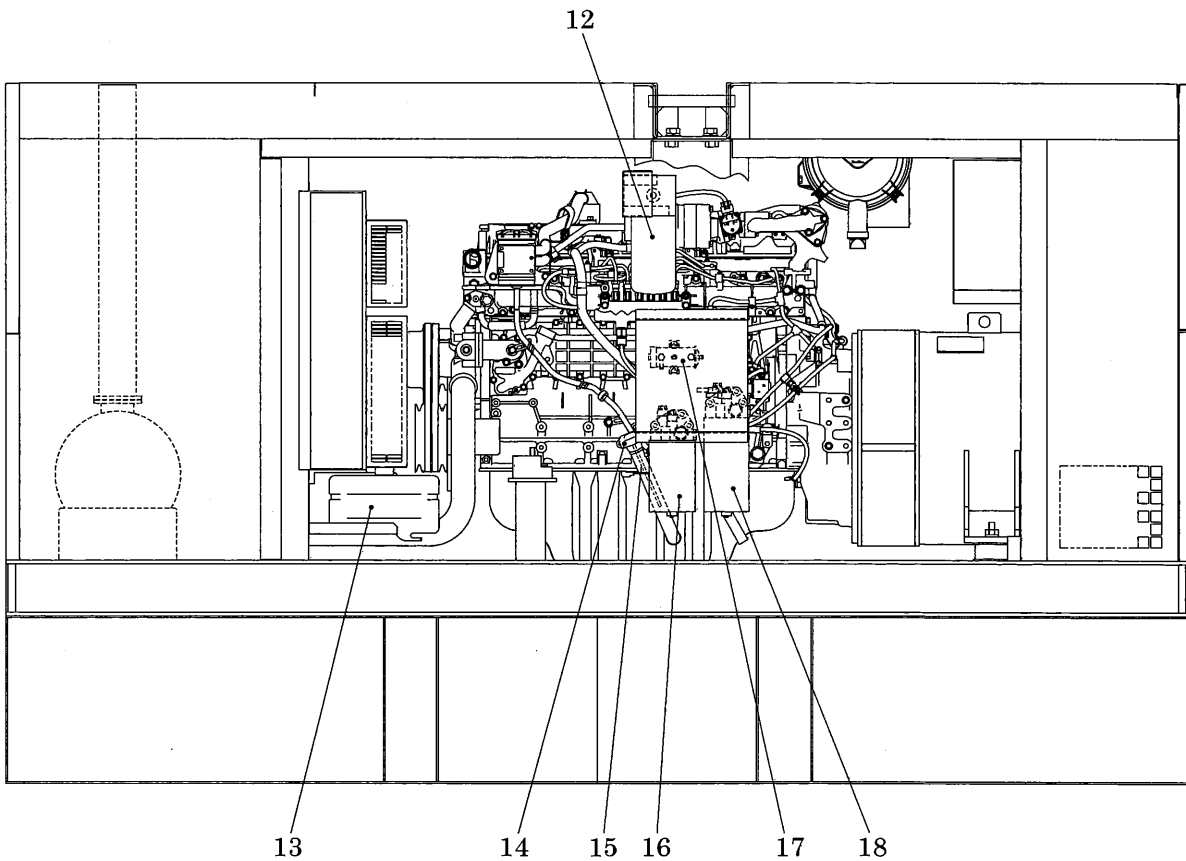
A series of horizontal dotted lines for writing.

2. Part Names

2.1 Internal Components



2. Part Names



SDG150S-8B1

A070315-1

| No. | Description | Function |
|-----|-----------------------------------|--------------------------------------------------------|
| 12 | Engine oil filter | For filtering engine oil. |
| 13 | Reserve tank | For feeding cooling water. |
| 14 | Engine oil filler port | For supplying and replenishing engine oil to engine. |
| 15 | Engine oil level gauge | Scale for measuring engine oil level. |
| 16 | Fuel filter | Filtering device for filtering dust mixed in fuel oil. |
| 17 | Air bleeding electromagnetic pump | For feeding diesel fuel oil to engine. |
| 18 | Fuel pre-filter | For filtering the fuel before fuel filter |

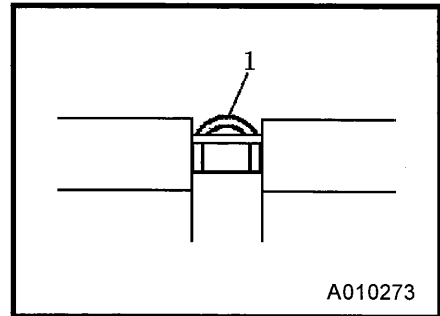
3. Installation

3.1 Transporting Unit

WARNING

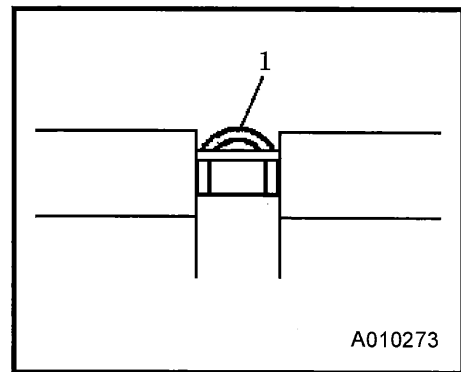
- Use the lifting bail “1” at the center of bonnet for hoisting up and down the machine.
Since the rope hook is not strong enough to be used for hoisting, never use it to prevent falling accident.
- When transporting the machine, be sure to put it on the truck bed and use the rope hooks to secure it with rope
- Do not hoist up the machine while it is running. Otherwise, a fatal trouble or serious accident may occur.

Transportation



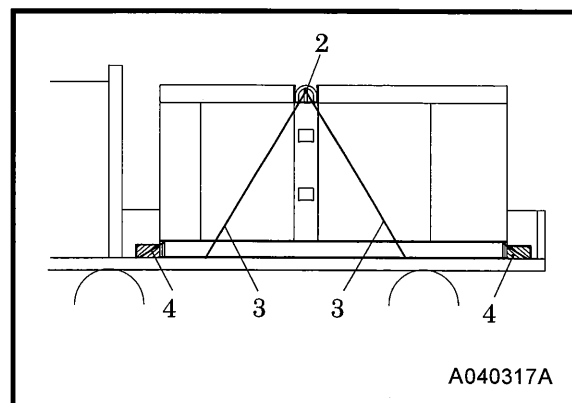
3.1.1 Lifting

- Use the lifting bail “1” fitted on center of bonnet.
- Select an appropriate crane or truck by referring to the mass and dimensions mentioned in “Specifications”.
- Only a qualified crane operator is allowed to operate a crane.



3.1.2 Securing a machine on truck bed when transporting

- When moving or transporting a machine from site, place it on truck bed and fasten it by ropes “3” at two hooks “2” on both right and left sides and 4 points on the common frame.



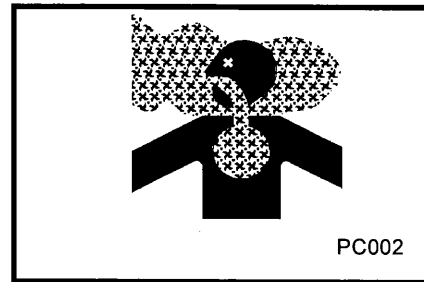
3. Installation

3.2 Conditions of Unit Installation

⚠ WARNING

- Exhaust gas from the engine is poisonous, and it could cause casualties when it is inhaled.
Avoid using the machine in an insufficiently ventilated building or a tunnel. When the machine is unavoidably used in such insufficiently ventilated place, ventilation devices and ventilation pipe should be provided for better ventilation.

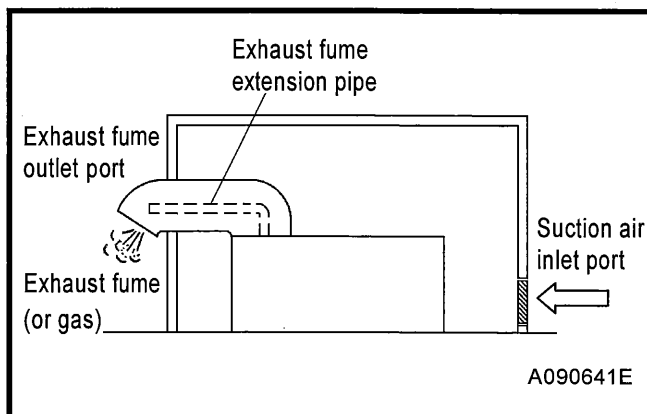
Ventilation



⚠ WARNING

- In case that the unit is installed indoors for operation, suction air port and exhaust fume outlet port should be provided for better air ventilation.
- Make sure to secure enough space in front of air suction port and also to secure it after exhaust fume outlet port so that the engine may not get overheated.
- Exhaust pipe or the like should be provided at the exhaust outlet port so as to send out exhaust fume outdoors.
- Also the cooling air outlet port of radiator should be provided outdoors through a duct or the like for air ventilation.

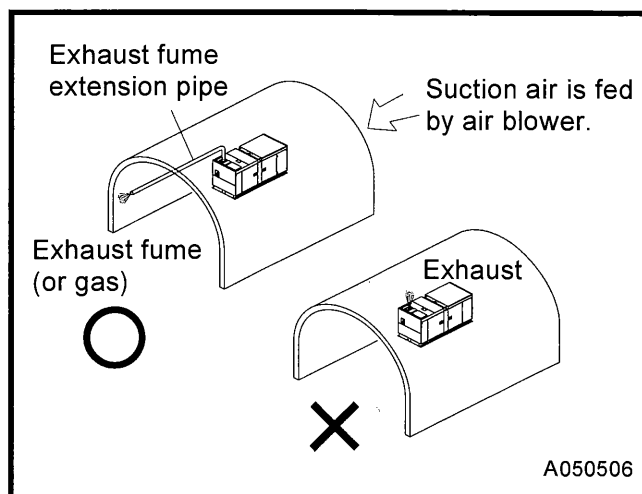
In case that the unit is installed indoors



⚠ WARNING

- In case that the unit is installed inside any tunnel, make sure to provide fresh air and ventilate it.
- In this case, make sure to extend the exhaust fume pipe outdoors, and also make sure to prevent any leak from any connection pipes. In case that the unit is operated under exhaust air pressure, make sure to install the exhaust pipe to be supported.

Installing the unit st such poorly-ventilated place

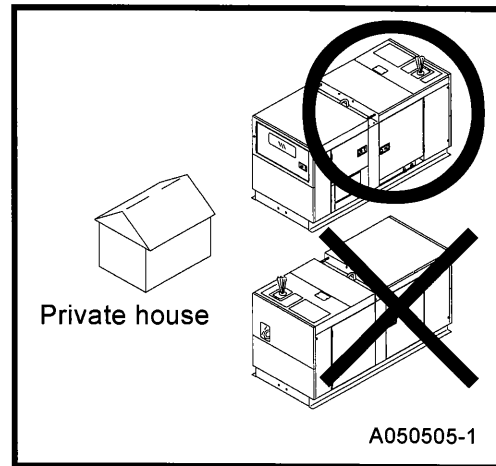


3. Installation

WARNING

- Never locate the unit with the exhaust muffler facing any private house:
- As the exhaust fume (gas) from the engine is poisonous, never direct it to any other persons passing by.

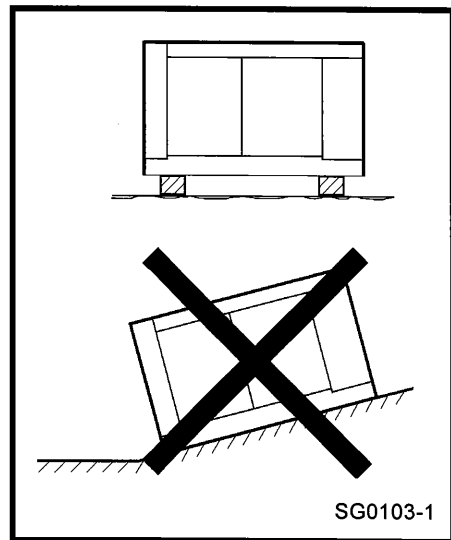
How to locate the unit



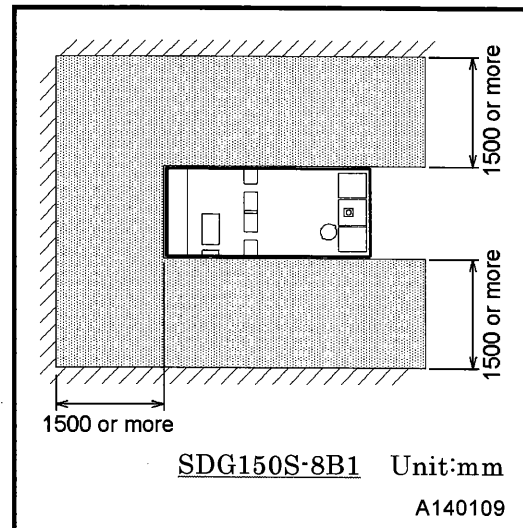
WARNING

- The machine has to be installed on dry, firm, and level area.
- The machine should be installed within 5° degree inclination.
- Avoid installing the machine in a place such as a damp place or a place where puddles are apt to be formed after rain. Such installation could cause electric shock.
- When installing the machine at the sea shore or on a ship, make sure that the machine should not be exposed directly to sea water.
- When installing the machine at a sandy place, make sure that exhaust from the generator or radiator does not blow the sand up in the air, or into the machine.
- In case that the unit has to be installed inevitably on any rough and uneven ground; it is necessary to insert square wooden bars under the unit for levelling it.

Installation



- The machine should be operated in following conditions:
- Ambient temperature ----- -15°C to +40°C
- Humidity ----- Less than 85%
- Altitude ----- Lower than 1,000m above sea level
- If more than two machines are placed parallel in operation, keep enough distance so that exhaust air from one machine does not effect the other one.
- Keep enough space around the unit for inspection and maintenance access.

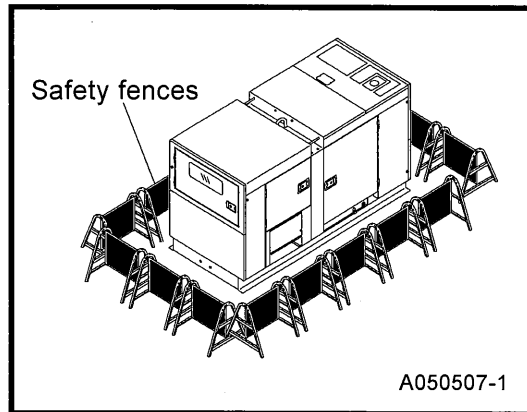


3. Installation

CAUTION

- In order to prevent from entering the jobsite or touching the equipment any other persons than the persons engaged in the job, please prepare for safety fences around the unit:

Preparation of safety fences

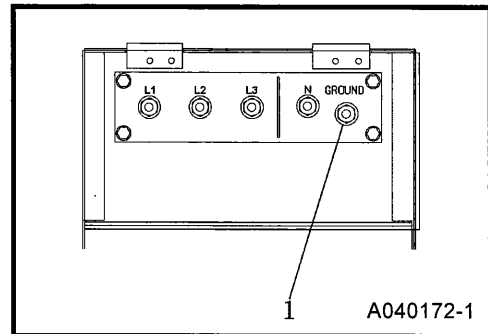


3. Installation

3.3 Grounding Method

3.3.1 Ground Terminal

The generator ground terminal "1" is connected to the frame of the generator, metal non-current-carrying generator parts and the ground terminals of each receptacle.



3.3.2 Connections to a Building's Electrical System

Connections for standby power to a building's electrical system must be made by a qualified electrician. The connection must isolate the generator power from utility power, and must comply with all applicable laws and electrical codes.

WARNING

- Improper connections to a building's electrical system can allow electrical current from the generator to backfeed into the utility lines. Such backfeed may electrocute utility company workers or others who contact the lines during a power outage. Consult the utility company or a qualified electrician.
- Improper connections to a building's electrical system can allow electrical current from the utility company to backfeed into the generator. When utility power is restored, the generator may explode, burn, or cause a fire in the building's electrical system.

3.3.3 Ground System

AIRMAN's generators have a system ground that connects generator frame components to the ground terminals in the AC output receptacles. The AC neutral wire is connected to the system ground.

3. Installation

3.3.4 GFCI (Ground-fault circuit interrupter) Receptacles

⚠ WARNING

- Using the generator in rain, snow or near water can lead to death from electric shock. Keep the generator dry.

All of the 20 ampere 120 volt receptacles on the generator are protected by a GFCI (Ground-fault circuit interrupter) for protection against the hazards of ground fault currents. An example of ground-fault current is the current which would flow through a person who is using an appliance with faulty insulation and, at the same time, is in contact with an electrical ground such as a plumbing fixture, wet floor, or earth.

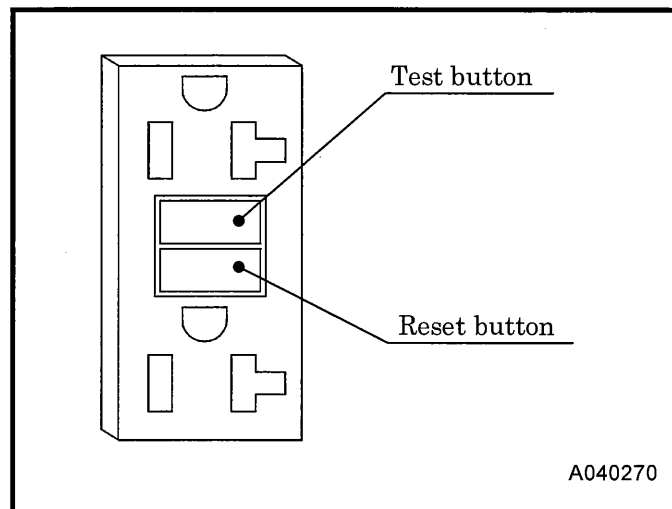
The ground-fault circuit interrupter will not protect against short circuits or overloads. The circuit breaker in the control panel which supplies power to the circuit provides that protection.

The ground-fault circuit interrupter can be identified by the TEST and RESET buttons. The receptacles on the GFCI can be tested with the TEST and RESET buttons.

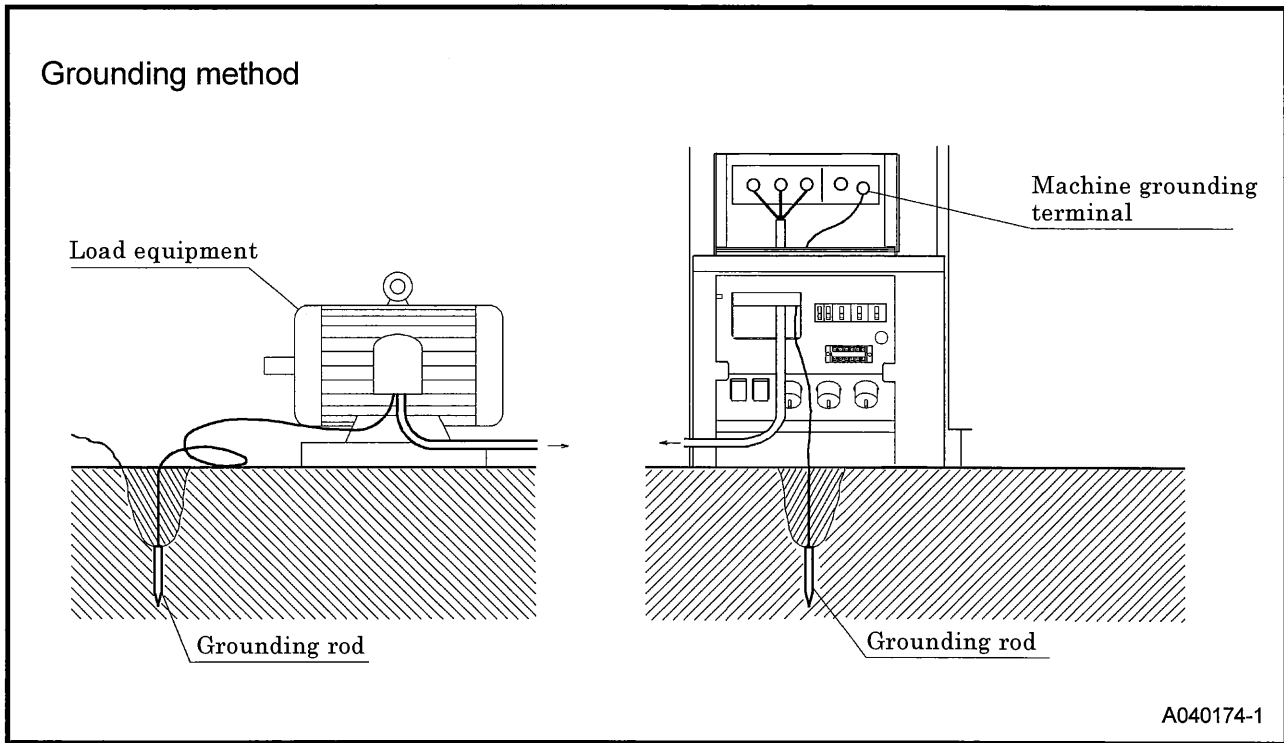
TEST BUTTON: To test, depress the "TEST" button. (power is turned off)

RESET BUTTON: To restore power, depress the "RESET" button.

Perform this test monthly or every 250 hours operation whichever comes first, in order to ensure proper operation of the GFCI receptacle. If the generator is stored outdoors, unprotected from the weather, test the GFCI receptacle before each use. Record your test on the GFCI test card provided on the control panel.



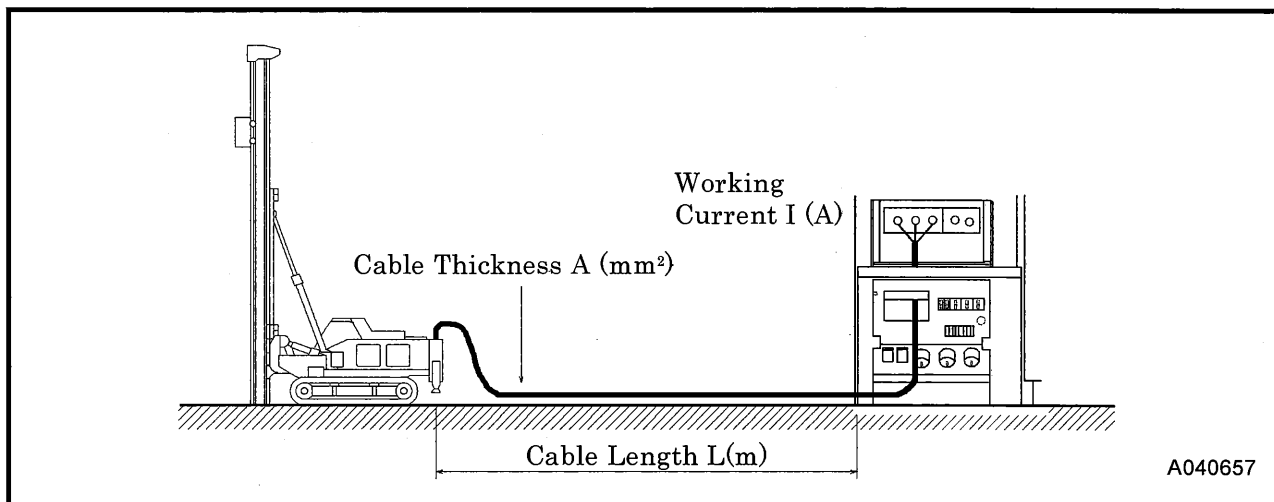
3. Installation



3. Installation

3.4 Selecting Cable

- Select a cable with sufficient diameter by considering the permissible current on the cable and the distance from the generator to the load.
- If the current flowing to the load exceeds the permissible current of the cable, resultant overheating may burn the cable. Similarly, if the cable is too small in thickness to the length, the input voltage to the load will fall to cause the load input power to drop, as a result, the performance of the machine cannot be displayed.



- Simplified three-phase three-wire formula to seek voltage drop or cross-sectional area of the cable from cable length and working current. Select such a cable length and thickness so that the voltage drop will remain less than 5%.

| Output system | Voltage drop | Cross-sectional area of the cable | e : Voltage drop(V) e' : Voltage drop between an outside line or one line of each phase, and a neutral line (V) |
|-------------------------|------------------------------------------------------|------------------------------------------------------|--------------------------------------------------------------------------------------------------------------------|
| Three-phase 3-wire Type | $e = \frac{30.8 \times L \times I}{1,000 \times A}$ | $A = \frac{30.8 \times L \times I}{1,000 \times e}$ | A : Cable thickness (mm ²) L : Cable length (m) I : Working current (A) |
| Three-phase 4-wire Type | $e' = \frac{17.8 \times L \times I}{1,000 \times A}$ | $A = \frac{17.8 \times L \times I}{1,000 \times e'}$ | |

- The following tables show the relations between the cabtyre cable length and the cable thickness (nominal cross-sectional area) suited to the working current. (Based on the condition that working voltage is 200 V, with voltage drop of 10V.)

Single-Conductor Cabtyre Cable

Unit:mm²

| Current \ Length | 50m | 75m | 100m | 125m | 150m | 200m |
|------------------|-----|-----|------|------|------|------|
| 150A | 38 | 38 | 50 | 60 | 80 | 100 |
| 200A | 60 | 60 | 60 | 80 | 100 | 125 |
| 300A | 100 | 100 | 100 | 125 | 150 | 200 |
| 400A | 125 | 125 | 150 | 200 | 200 | 250 |

Three-Conductor Cabtyre Cable

Unit:mm²

| Current \ Length | 50m | 75m | 100m | 125m | 150m | 200m |
|------------------|------|------|------|------|-------|-------|
| 150A | 22×2 | 22×2 | 38×2 | 38×2 | 50×2 | 50×2 |
| 200A | 38×2 | 38×2 | 38×2 | 50×2 | 50×2 | 60×2 |
| 300A | 60×2 | 60×2 | 60×2 | 60×2 | 80×2 | 100×2 |
| 400A | 60×2 | 60×2 | 60×2 | 80×2 | 100×2 | 125×2 |

3. Installation

3.5 Selector Valve of Fuel Pipe

CAUTION

- Always keep watching the fuel feeding conditions while feeding fuel from a separate fuel storage tank separately installed.
- In order to use a separator fuel storage tank, be sure to change the handles of the selector valves to a predetermined position. If you make a mistake in turning the handles, it can burst the fuel pipe and cause overflowing. It could lead to a serious accident.
- If excessive force is loaded to the selection handle, it will not move smoothly and it could cause fuel leakage. Be careful about the handle.

3.5.1 Selector valve

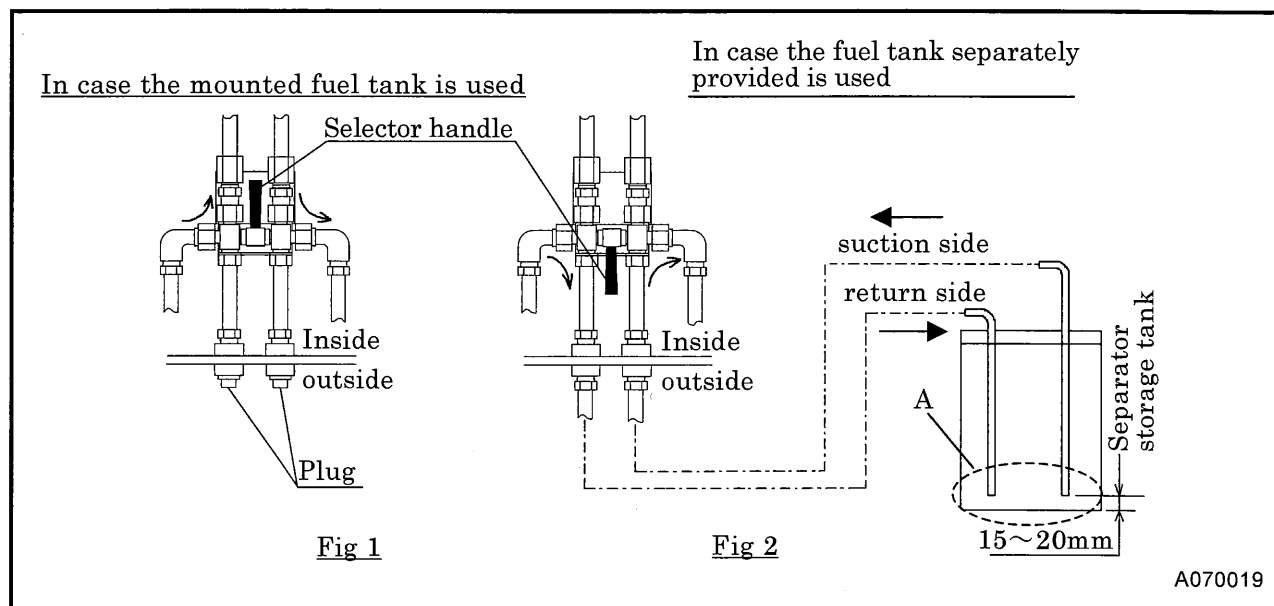
This valve is designed to feed fuel directly to the engine of the unit, not from the tank integrated in the unit, but from a fuel tank installed separately.

3.5.2 Operation method

- ① Unit is delivered from factory with fuel line piping and selector valves built in as shown in the following Fig.1. When operating a unit, using installed fuel tank, run the machine with the fuel line piping and the handles of selector valves factory-arranged.
- ② When using a separate storage tank, remove the plug fitted at the connections to the separator tank and make piping as shown in Fig.2. And then turn the handles of the selector valve as shown in Fig.2.
- ③ When removing the piping connections, make sure to return the handles to the original positions shown in Fig.1 and install the plugs.

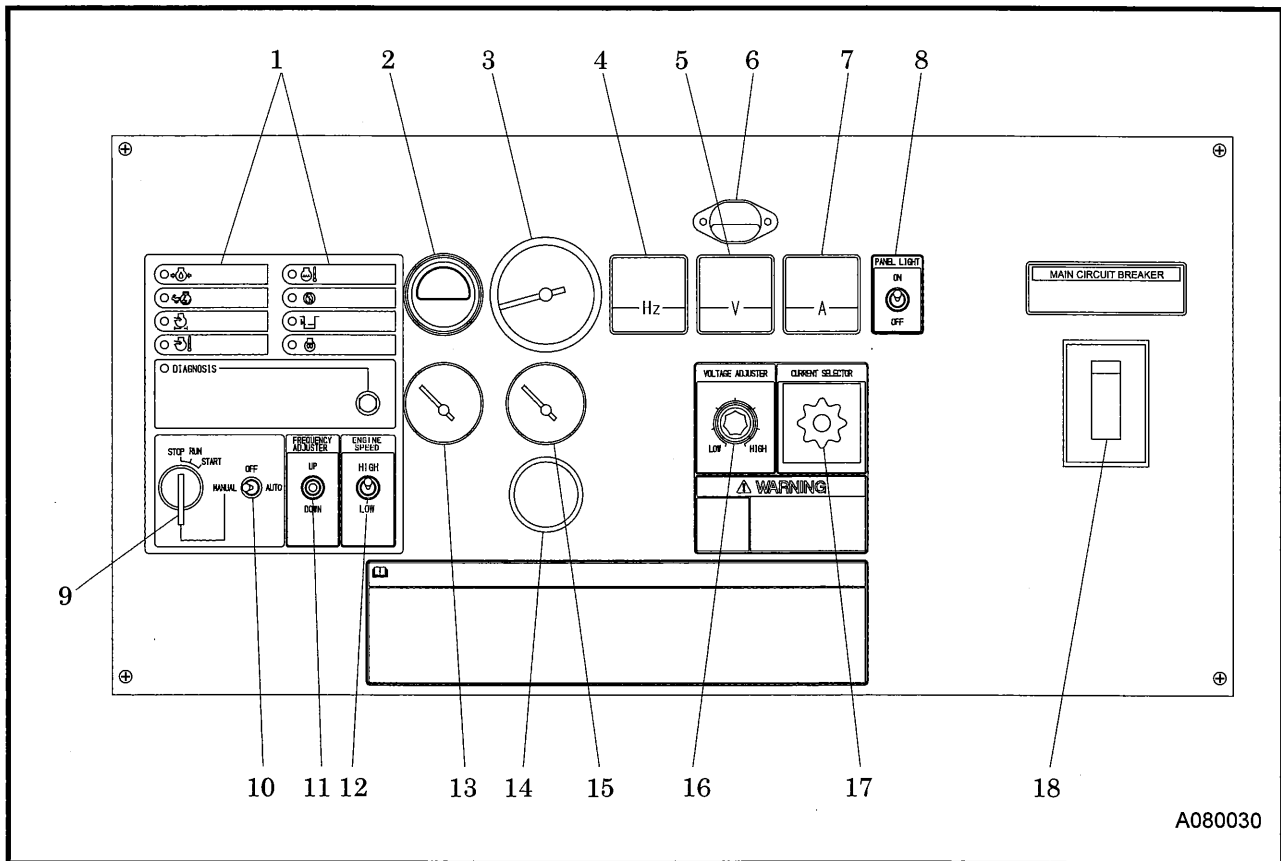
3.5.3 Installation of Separate Storage Fuel tank and piping method

- ① Use oil resistant hoses of inside diameter of 8mm to 10mm.
- ② Install the fuel tank so that the fuel level of the tank may be kept at the level from zero to 2.5m high from the machine installation level.
- ③ In order to avoid suction of water and sediment together, install the suction pipe so that the inlet port of suction pipe may be kept at the 15mm to 20mm higher level than the bottom line of the tank. Also install the outlet port of the return pipe inside the tank.(see Fig.2 · A)
- ④ When refilling fuel in the tank, take much care not mix water and sediment.



4. Operation

4.1 Instrument panel



1. Monitor lamp (for details, see 4.2.1)
2. Fuel gauge
3. Tachometer with hourmeter
4. Frequency meter
5. Voltmeter
6. Panel light
7. Ammeter
8. Panel light switch
9. Starter switch
10. Manual-automatic change-over switch
11. Frequency adjuster switch
12. Engine speed switch
13. Coolant temperature gauge
14. Ammeter for battery charge
15. Engine oil pressure gauge
16. Voltage regulator
17. Ammeter change-over switch
18. Main circuit breaker

※ The voltage selector switch is provided inside the unit. (See page 2-1, No.2)

4. Operation

4.2 Protection device



- For prevention of troubles during operation, this machine is provided with various protection devices. When the engine stops due to function of the protection devices and circuit breaker trips, get rid of the causes of trouble, referring to the trouble shooting clause and then restart operation.

4.2.1 List of protection devices

- This machine is equipped with the following devices in the table. Repair and make necessary treatment in accordance with the item ○.

| Item | Engine stops | Three-phase circuit breaker trips. | Lamp display | Monitor | Functions |
|---------------------------------|--------------|------------------------------------|--------------|-----------|-------------------------------------------------------------------------------------------------------------------------------------------------------------------------------------------|
| Engine oil pressure drop | ○ | — | ○ | | When engine oil pressure drops, it functions. Operating pressure: lower than 15psi (0.1MPa) |
| Engine water temperature rises. | ○ | — | ○ | | In case of abnormal rise of engine water temperature, it functions. temperature reaches: more than 221° F (105°C) |
| Excessive rotation | ○ | — | ○ | | When engine rotates excessively, it begins to function. Function rotation At 50Hz operating:1,725min ⁻¹ (57.5Hz) At 60Hz operating:2,070min ⁻¹ (69Hz) |
| Overcrank | ○ | — | ○ | | This lamp goes on when operator fails to start engine, during automatic operation mode. |
| Clogging of air filter | — | — | ○ | | When air filter is clogged and it becomes necessary to clean it, it functions. |
| * Oil Fence | — | — | ○ | | When more condensate (fuel, engine oil and coolant) than 1/3 of capacity in the oil fence is accumulated, monitor lamp lights. |
| Boost temperature | — | — | ○ | | When boost temperature rises higher than 85°C, the lamp goes on. |
| Overcurrent or short circuit | — | ○ | — | — | In case of overload or short circuit accident, it functions. |
| Diagnostic lamp | — | — | ○ | DIAGNOSIS | This lamp blinks when engine trouble happens. Then, a pattern of lamp signals changes if "DIAGNOSTIC BUTTON" is pushed. The pattern of lamp signals shows what's kind of trouble happens. |
| Engine troubles | — | — | ○ | — | Refer to 6.2.1 "Engine troubles" |

* When the monitor lamp lights in the oil fence, immediately drain it.

(For the capacity of the oil fence, refer to 8.1 Specifications).

To protect environment, do not drain it directly into rivers. (For details, see 4.4)

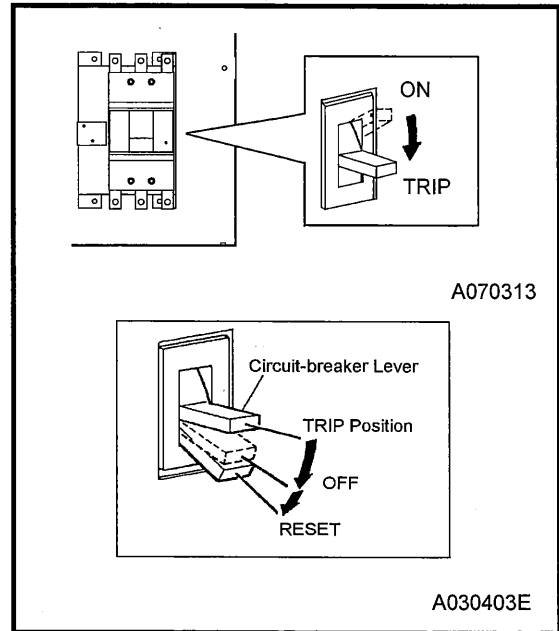
4. Operation

4.2.2 Three-phase circuit-breaker

- In case overload and short-circuited wire connection should occur, the circuit-breaker trips.
- When this is tripped, stop the unit immediately and reset the circuit breaker after getting rid of the causes of trouble.

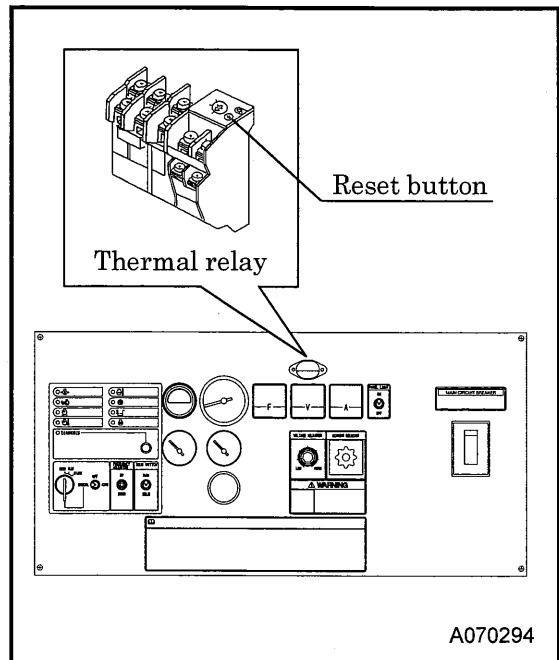
<How to reset>

- In order to reset the lever of circuit-breaker, press hard the lever downward till the lever sounds "click".



4.2.3 Thermal relay

- In case overload or short-circuit should occur to load or load connection cable, this relay functions to trip the circuit-breaker.
- It is not necessary to push the reset button even after the three phase main breaker is tripped since the thermal relay is set automatic return at factory.



4. Operation

4.2.4 Circuit protector (CP) for AVR protection

AVR is equipped with circuit-protector (CP) for protection against overcurrent. Under the following cases, it happens to function.

- In case the machine gets overloaded while engine speed is still lower.
- In case the output voltage of generator is increased higher than the specified voltage.

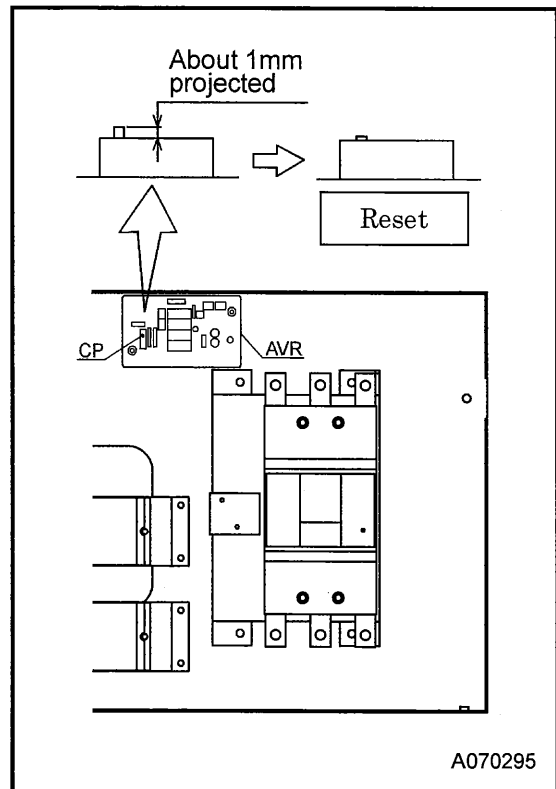
<Symptom>

- When circuit protector functions and load is applied to the machine, such trouble as larger variance of voltage and/or delayed voltage recovery follow.

<How to reset>

- Press the white colored AVR button inside the control panel for resetting the circuit-breaker.

Note: Do not hold the button with such sharply pointed things as a screwdriver, ball point pens etc.



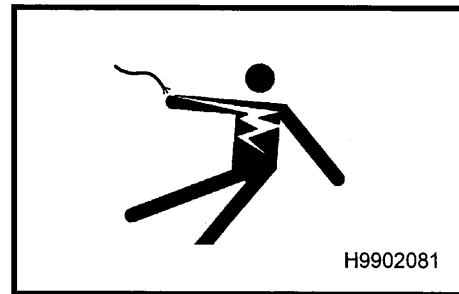
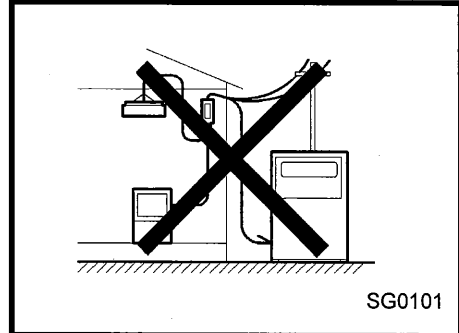
4. Operation

4.3 Connecting Load

WARNING

Electric shock and electric leak

- Make sure not to connect the output terminal of the machine with the commercial power source from electric power company. It may cause an electric shock, machine troubles and even a fire.
- Make sure to ground the machine and the load. It could cause an electric shock when the machine is installed at a damp place or on a steel frame or a steel plate.
- Never touch the output terminals during operation.
- Notice that the voltage of several hundreds volt is applied to the output terminal.
- When removing or connecting a connecting cable for changing load, be sure to switch OFF the circuit breaker, remove the starter key from the starter switch, then carry out a work. The operator must keep the key during operation.
- For a connecting cable to load, do not use a cable with damaged sheath nor an inappropriate insulation cable to the voltage. Secure connections between each cable terminal and input/output terminal. Otherwise, it may be slacked during operation and may cause a fire or an electric shock accident.



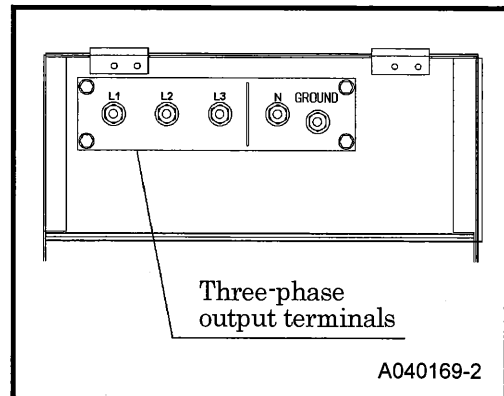
CAUTION

- When using a single-phase load [277V or 139V], see to it that the loads on the different phases will be evenly balanced. Unbalanced loads may cause the generator burning.

- Select a cable with sufficient diameter by considering the load capacity and the distance from the generator to the load. Use terminals for connection and securely fasten them.
- After checking phase number and voltage of the load, make sure to connect them correctly.

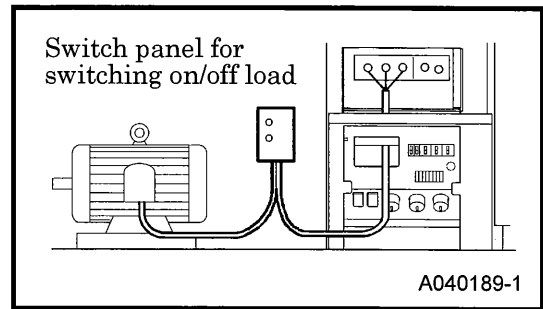
—Terminal size—

| | |
|----------------------------------|-----|
| Three-phase output (L1,L2,L3,N) | M14 |
| Leakage relay ground terminal(G) | M14 |



4. Operation

- Install a switch between the output terminal and the load to switch on/off the load. Do not switch the load on/off directly by the circuit-breaker of the generator. It could cause damage to the circuit-breaker.
- Connect the connecting cable to the load so that the output terminals should not touch each other.

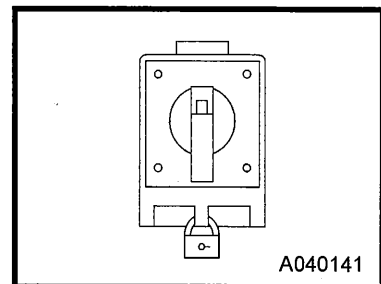


4.3.1 Proper Connection of Three-phase Four-wire Type Terminal

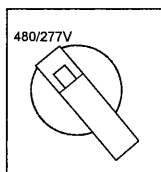
CAUTION

Never use voltage selector switch during operation

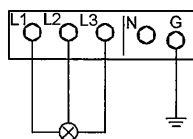
- During operation, do not operate voltage selector switch. Voltage selection during operation may cause abnormal voltage on the load side to damage the load and may cause a fire.
- In addition it could cause damage to generator and automatic voltage regulator (AVR).
- Be sure to shut off generator before using voltage selector switch.
- When voltage selection is completed, lock the voltage selector switch in position to prevent anyone from operating it.



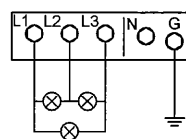
Voltage selector sw.
Three-phase 480/277V



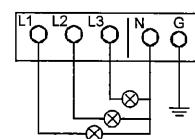
Output terminals
Three-phase 480V



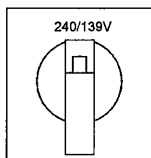
Output terminals
Single-phase 480V



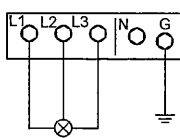
Output terminals
Single-phase 277V



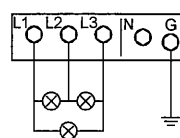
Voltage selector sw.
Three-phase 240/139V



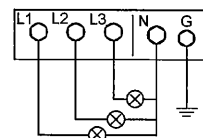
Output terminals
Three-phase 240V



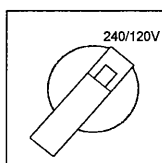
Output terminals
Single-phase 240V



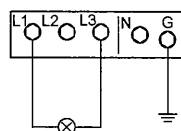
Output terminals
Single-phase 139V



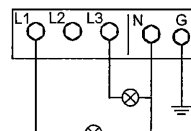
Voltage selector sw.
Single-phase 240/120V



Output terminals
Single-phase 240V



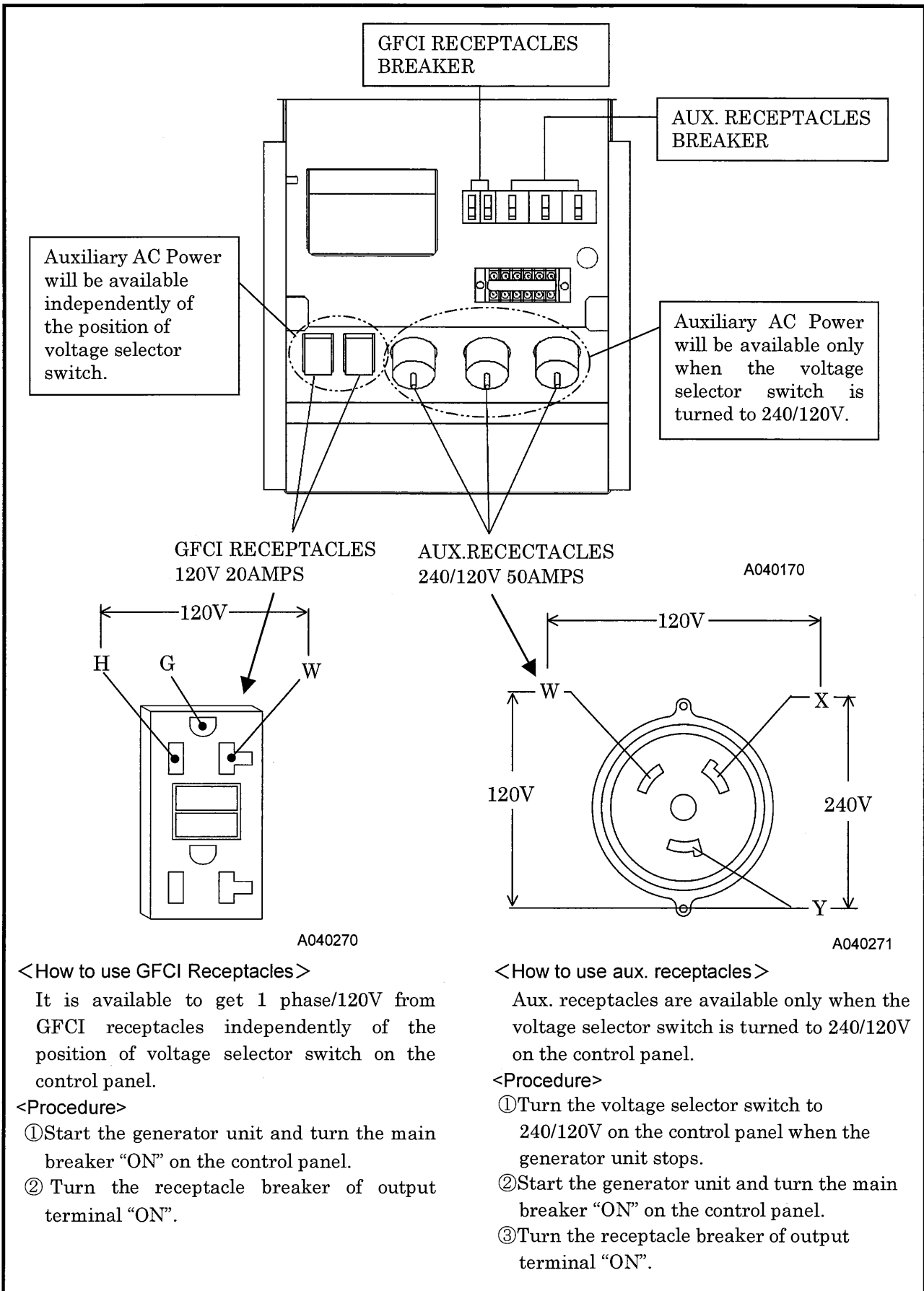
Output terminals
Single-phase 120V



NOTE; When the voltage selector switch is in the single-phase 240/120V position, place the ammeter change-over switch to the L1 or L3 position to read the output.

4. Operation

4.3.2 Auxiliary AC Power



4. Operation

4.3.3 The Maximum Combined Simultaneous Power Consumption



- Never exceed the maximum combined simultaneous power consumption.

The following chart shows the maximum power available from the 120V-20A GFCI receptacles during simultaneous consumption (main terminals and receptacles) for both single or three phase settings. Values shown in the left column give the maximum current available at the 120V-20A GFCI receptacles compared to the value of the simultaneous current consumption from the main terminals.

| Single Phase 120V-20A GFCI Rcept. | Three Phase 240/480V | Single Phase 240/120V |
|-----------------------------------------|-------------------------|--------------------------|
| kW | kVA | kW |
| 0.0 | 150 | 87.0 |
| 1.2 | 146 | 85.8 |
| 2.4 | 142 | 84.6 |
| 3.6 | 138 | 83.4 |
| 4.8 | 133 | 82.2 |

4. Operation

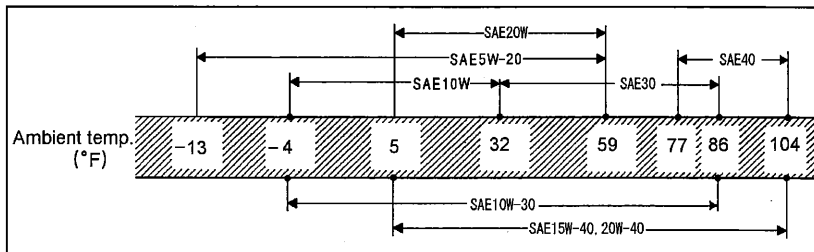
4.4 Engine Oil · Coolant · Fuel

4.4.1 Engine Oil

IMPORTANT

- Viscosity of engine oil greatly affects startability, performance, oil consumption of the engine, as well as wear of the moving parts.
- Choose appropriate oil based upon the table below according to the outside air temperature.

Ambient temperature range and oil viscosity (SAE)



A100293E

*** When the unit is delivered from factory, it is filled with the engine oil having the following specifications:**

| | |
|----------------|-----------------------------------------------|
| Classification | API service classification CD class or higher |
| Viscosity | SAE10W-30 |

- When two or more different brands of oil are mixed, its performance can be deteriorated. Do not mix oils.
- When it is expected to be used for a long period at light load (less than 20% load), it is better to replace the oil with suitable oil.
- Follow the designated regulations to dispose of engine oil.

4.4.2 Coolant

IMPORTANT

Quality of coolant and antifreeze

- Use soft water of good quality such as tap water for coolant.
- When water with dirt, sand, and/or dust contained, or hard water such as well water (ground water) is used, this will cause deposits inside radiator or on cylinder head, and will cause engine overheat due to poor flow of coolant.
- When the unit is used in a cold region and possible freezing is expected, it is recommended to use LLC (Antifreeze) for the coolant.
- Adjust mixing ratio of LLC with water according to the temperature. **(When the unit is delivered from factory, it is filled with the oil of density 55%.) Use LLC within the range of its mixing ratio between 35 and 60%. (If LLC in the water exceeds more than 60%, it may decrease its antifreezing effect.)**
- Follow the designated regulations to dispose of LLC (Antifreeze).

4.4.3 Fuel

IMPORTANT

Choose appropriate fuel

- Be sure to use diesel fuel oil.
(Using other oil will cause low power output or damage the engine.)
- As for fuel, use diesel fuel oil (having higher than 45 cetane number).
- Use of diesel fuel oil having lower than 45 cetane number will cause inferior function to engine and, what is worse, it will cause serious accident to the engine.

4. Operation

4.5 Check before Starting the Machine



WARNING

Check before starting the unit

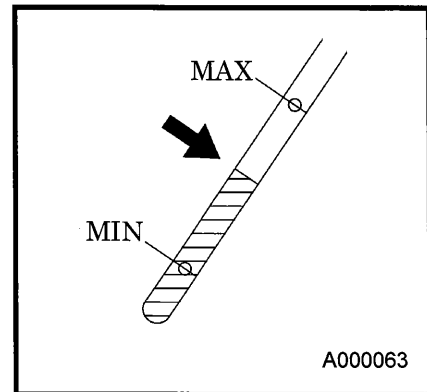
- Be sure to check the machine before operation.
When any abnormality is found, be sure to repair it before starting the unit.
- Be sure to make daily check before operation. If the unit is operated without prior check and without noticing its abnormality, such operation could cause seizure of components or may even cause fire.

4.5.1 Check Engine Oil Level

- The machine should be on level before checking oil level.
- When you check oil level after you have once started operation, wait 10 to 20 minutes after stopping engine, before checking the oil level.

<Procedures>

- ① Pull out the engine oil level dipstick, and wipe it with a clean cloth.
 - ② Then, re-insert the dipstick fully and pull it out again. If the gauge shows the oil level between MAX and MIN limits, it is normal.
 - ③ When the oil level is below its MIN, add engine oil. (See 5.5.1.)
- While checking oil level, check also for contamination. If the oil is found dirty, contaminated, or should be changed according to the periodic inspection list, change the oil.



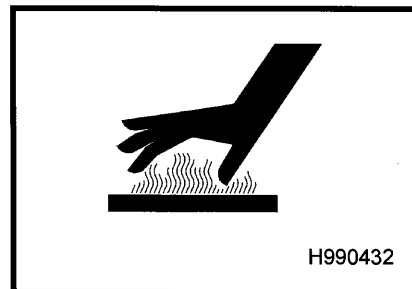
4.5.2 Check Coolant Level



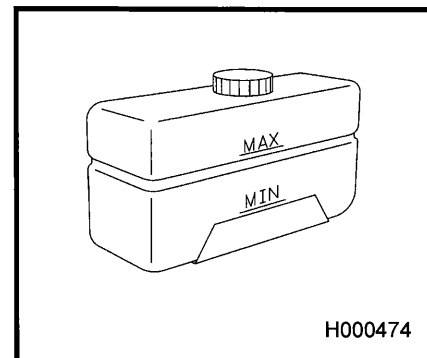
CAUTION

Taking off the radiator cap

- Be sure to stop the machine first and then loosen the radiator cap slowly, after the coolant water is sufficiently cooled and the inner pressure is released.
If this procedure is neglected, its inner pressure can blow off the cap, and steam jetting out of the radiator could cause scalding.



- Check the coolant level in the reserve tank. If it is lower than the limit, open the cap and replenish the coolant.
(Level must be kept above MIN mark)
- If little coolant is left in the reserve tank, replenish the tank and radiator also. (See 5.5.17)



4. Operation

4.5.3 Check Fuel

- Before starting operation, make sure to check the level of residual fuel so that fuel shortage during operation can be avoided.
- If necessary, drain condensate accumulated at the bottom of the fuel tank.

CAUTION

- Do not, under any circumstance, bring lit cigarettes and/or matches to the fuel.
- The fuel is extremely flammable and dangerous. Be careful of fire because it is very likely to catch fire.
- Refuel only after stopping the engine, and never leave open fuel can near the machine. Do not spill. It could cause a fire. When it is spilt, wipe it up completely.
- Never use alcohol-base cleaning fluid. If it sticks to such parts made of plastic, it causes degradation of liquid surface visibility, and in worst case, it leads to crack and fuel leak due to crack caused.
- Refilling fuel tank should be done in an outdoor well-ventilated place.
- **Do not fill fuel oil up to the cap level. When fuel tank is filled up to the cap level, fuel oil will be overfilled due to volume expansion caused by rise of ambient temperature. Further, fuel will be possibly spilled from fuel tank due to vibration caused during movement and/or transportation of machine.**

Fire prevention



4.5.4 Check Fuel Pre-Filter Drain

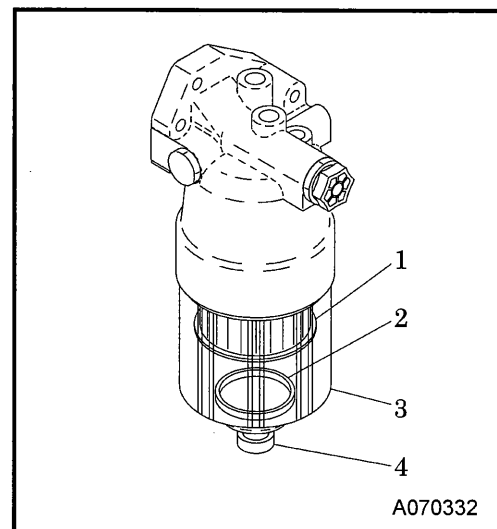
CAUTION

- At time of inspection, never use alcohol-base cleaner. If it sticks to such parts made of plastic, it causes degradation of liquid surface visibility, and in worst case, it leads to crack and fuel leak due to crack caused.

Check if the red float “2” in the fuel pre-filter rises up to the water drain level, then drain water if it is near the element “1” .

<Procedures>

- ① Loosen the drain plug “4” to drain the water.
 - ② After draining the condensate, be sure to fasten the drain plug “4” .
- Do not take away the case “3” of fuel pre-filter because the fuel flows out. Should it be absolutely necessary to remove it, do it after it has been prepared to prevent the fuel from flowing out by clipping the inside hose.
 - Drain the condensate in container, and then dispose of condensate according to the designated regulations.



4. Operation

4.5.5 Check belt Tension

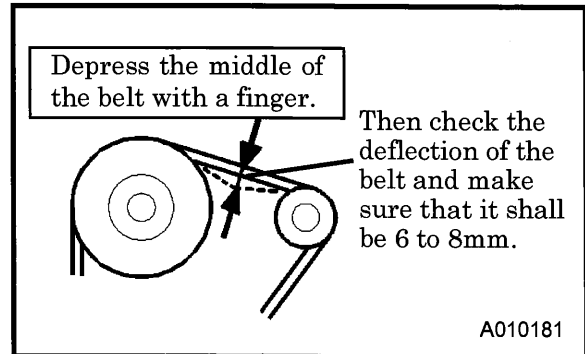
IMPORTANT

- If belt tension too tight, it can cause shaft breakage or shorten the life of a bearing. If too loose, the belt may slip and will cause early breakage or damage to the belt.

- Adjust the belt by the following procedure:

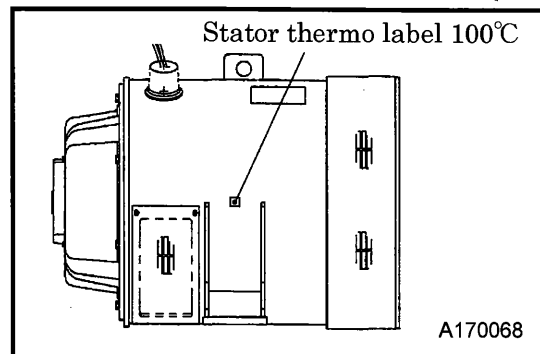
<Procedures>

- ① Unfasten the mounting bolts of the alternator to adjust the alternator.
- ② Visually check the belt for any crack, wear, and other defect.
- ③ Loosen the mounting bolt of alternator once. Then adjust it so that the belt deflection will be 6-8 mm [98.1N (10kgf)] when pressing with a finger.
- ④ Be careful not to leave any grease and LLC on the belt. If any of such material is left, wipe it off completely.



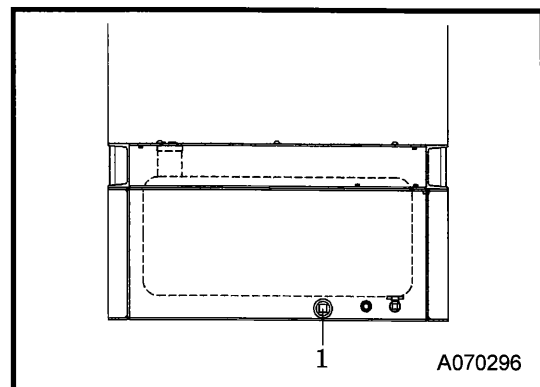
4.5.6 Check of thermo-label on the stator

- Thermo-label on the stator irreversibly changes its color from white to brown by reaching or exceeding 100°C, that signalize overload during operation. Do not overload the generator.
- Clean internal components of the alternator from dust and dirt with compressed air.
- Replace thermo-label, if it have changed the color once.
- When replace it, contact our office nearby or distributor.



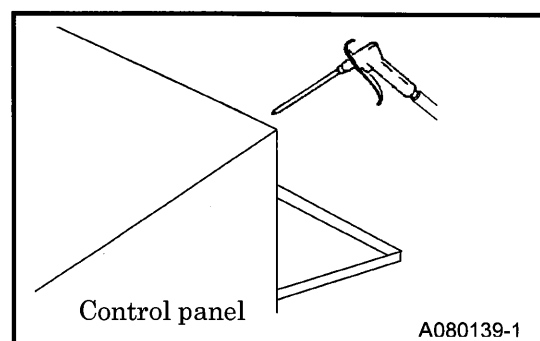
4.5.7 Check condensate in the oil fence

- A drain outlet is provided at the side of the oil fence. Remove the drain plug "1" and drain the condensate accumulated inside the oil fence.
- After making sure that the condensate is drained, install the drain plug "1".
- Drain the condensate in container, and then dispose of condensate according to the designated regulations.



4.5.8 Cleaning the instruments inside control panel

- Before starting operation, open control panel and check each breaker, terminal plate and each controller for any dust, sand and dirt accumulated.
- If the machine is operated with such dust, sand and dirt sticking, it could cause malfunction and trouble of instrumentation. If any, stop the machine, and clean them by blowing compressed air. when doing cleaning job, wear protection glasses.



4. Operation

4.6 Unit Operation

WARNING

- Keep the door shut and locked when machine is in operation.
- If opening the door is necessary, be careful not to touch rotating or hot parts. Burns or serious injury could result.

IMPORTANT

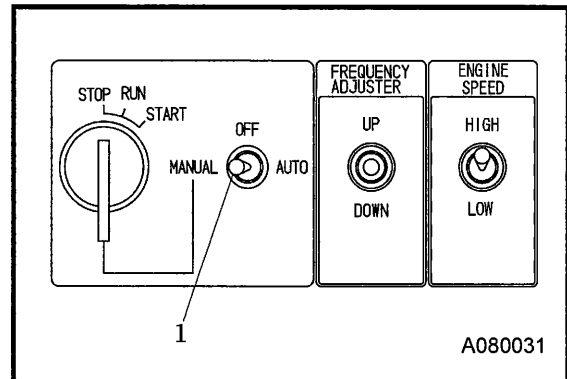
- After the engine starts up, warm up it under unload for approx. five minutes.
- Warming up after starting up is necessary for smooth operation of the engine. Do not operate the engine at full load immediately after it starts up. This will shorten the equipment life.
- During the warm-up operation, examine the different parts of the equipment for any looseness, leakage of water, oil, fuel, and other irregularities.
- Also, make sure that the alarm lamps are off.
- Be sure to operate the generator at a rated frequency, irrespective of the load capacity.
If the machine is operated with a frequency lower than the rated frequency, it could cause the generator or to be burned.
- Do not set engine speed except 60Hz by "FREQUENCY ADJUSTER".

4.6.1 Procedure to Start the Unit

Follow the starting procedure below.

<Manual operation>

- ① Switch "OFF" the circuit breaker on the instrument panel.
- ② Set the selector switch "1" to "MANUAL" operation position.
- ③ Turning the starter switch to the "RUN" position, the engine starts preheating automatically.
- ④ When the preheating lamp goes off, turn the starter switch to "START" position and start the engine.
- ⑤ Once engine has started, let it warm up about 5 minutes at no-load condition.
- ⑥ Check frequency of generator at 60Hz. Switch "ENGINE SPEED" switch to "HIGH" position and adjust frequency to 60Hz by "FREQUENCY ADJUSTER" if it is not set at 60Hz.
- ⑦ Adjust the voltage to the rated voltage by turning the voltage regulator knob, watching the voltmeter.
- ⑧ Switch the three-phase breaker "ON" to supply generator power. To use auxiliary AC power receptacles, switch the single-phase and three-phase breakers to "ON" for power.



4. Operation

<Automatic operation>



WARNING

Inspection and maintenance prohibited during automatic operation

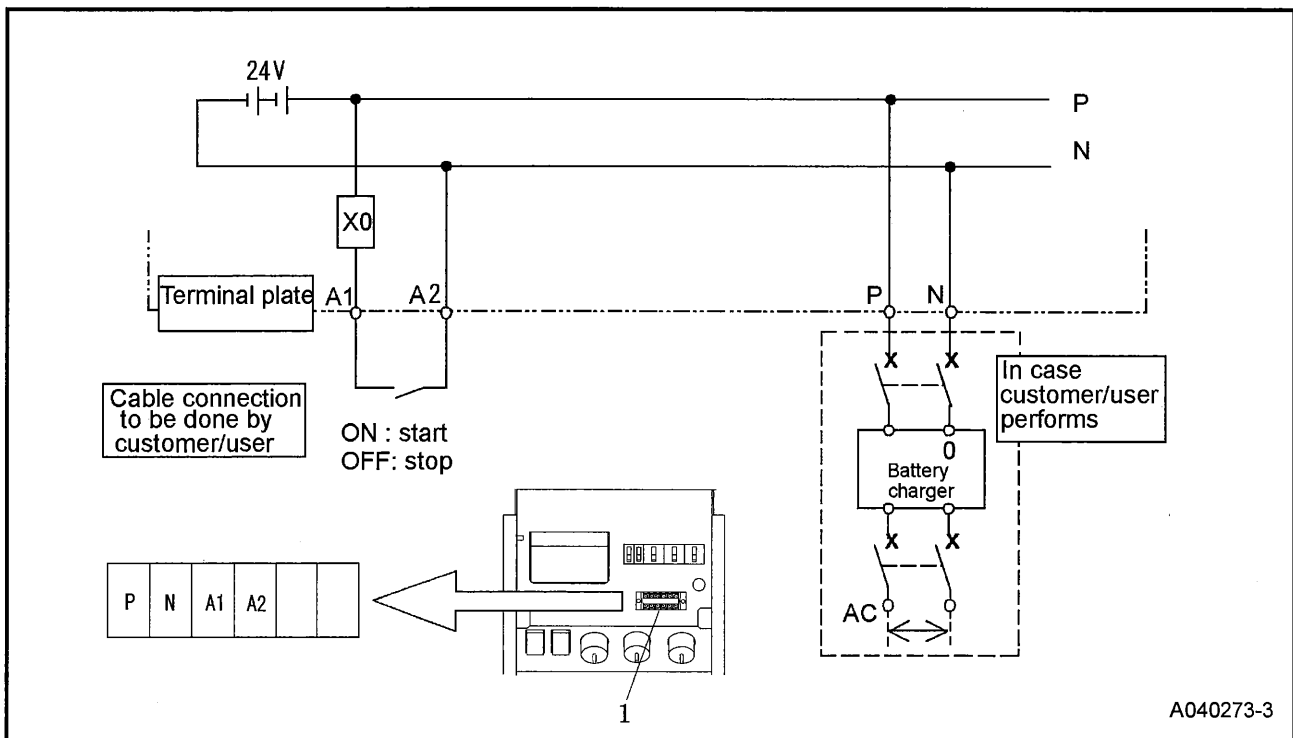
- Never put your hands close to the interior of the machine, because the generator can be started when start signal functions even while the machine is in stop position.
- Before starting inspection and maintenance job, make sure to place the selector switch of automatic starting panel to "MAN" position and to hang the tag "Under inspection and maintenance".
- Remove the battery cathode cable terminal.
- Pull out the starter key of the generator and the inspector himself should keep it during inspection and maintenance job. neglect and/or ignoring the above items could cause a serious accident to other persons standing close by the machine when any other person than the inspector himself starts the machine.



PK0028

1. Cable connection method of remote control switch

The remote control terminal "1" is provided inside the output terminal. Perform cable connection as shown below for remote control operation of the machine. For this cable connection job, make sure to remove the battery cathode cable terminal.



A040273-3

IMPORTANT

Install the battery charger

- While the machine is in stand-by conditions during automatic operation, battery discharge occurs. Make sure to charge battery, operating the battery charger.

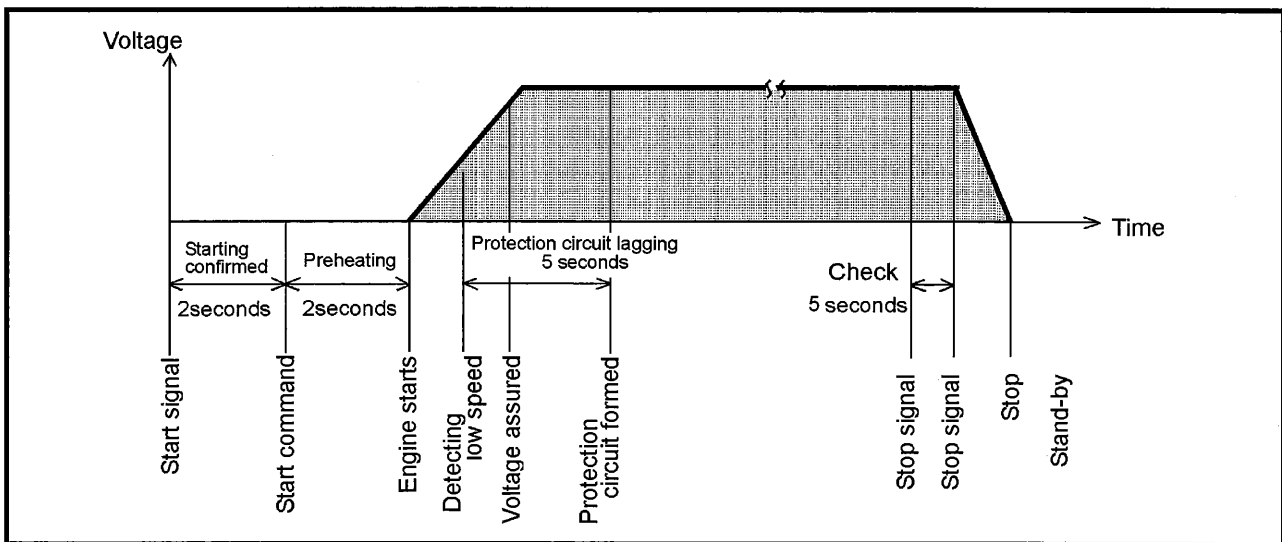
4. Operation

2. Operating procedure

- ① Start the generator unit under the procedure of manual operation and adjust the frequency and voltage.
- ② Turn the starter switch to "STOP" position and stop the engine.
- ③ Turn the circuit breaker of output terminal "ON" after the generator unit stopped when you use the circuit breaker and single phase receptacle on the control panel.
- ④ Turn the operating selector switch to "AUTO" position on the control panel, switch "ENGINE SPEED" switch to "HIGH" position.
- ⑤ The unit will be under stand by and start once the start signal is sensed.

3. Function

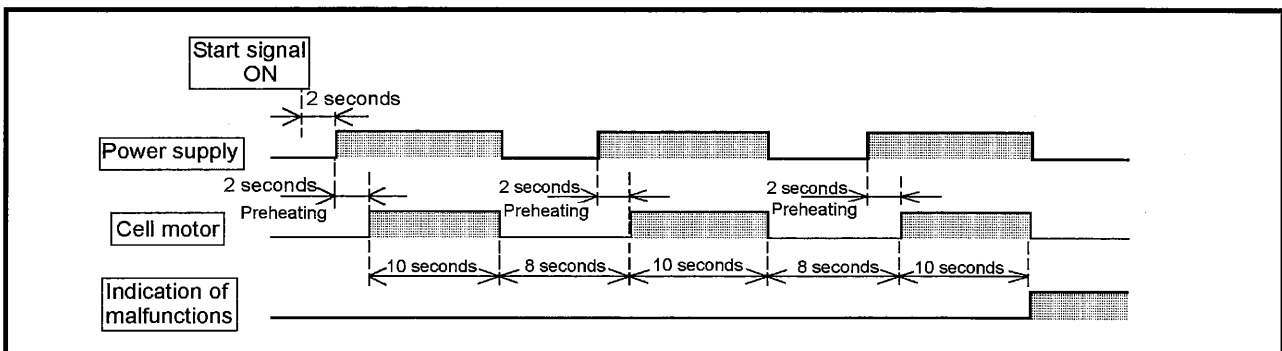
When start signal activates in stand-by conditions, it starts the generator engine after preheating. When stop signal activates, it continues 5 seconds cooling down operation to stop engine and the machine is placed again in stand-by conditions.



4. Starting action

Even when the engine will not start even after cranking operation for 10 seconds, stop it 8 seconds and then try cranking operation again. In case the engine will not start even after cranking operation is repeated three times, trouble signal goes on showing difficulty in starting.

In case that the lamp "OVERCRANK" goes on, switch off power supply once, pressing the button "EMERGENCY STOP". Then after releasing the button "EMERGENCY STOP", get rid of the cause of trouble why engine would not start.



IMPORTANT

Perform periodical inspection and maintenance of the generator

- For maintenance of the generator, try operation 5 to 10 minutes once a week.

4. Operation

CAUTION

- This machine is so designed for safety that operator may not touch the output terminal during operation. If you open the output terminal cover during operation with three-phase breaker switched "ON", the three-phase breaker will be "OFF" to cut power supply to the output terminal. When starting operation, make sure that the output terminal cover is closed.

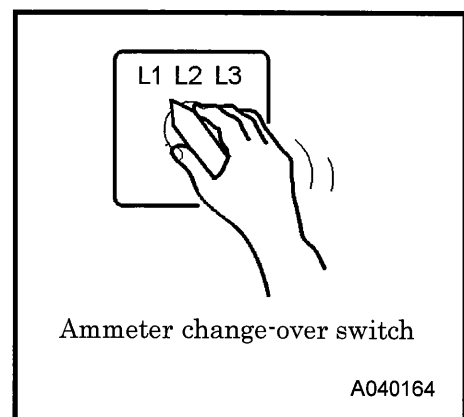
4.6.2 Meter and Indicator Lights while Operating

During normal operation, each indication of instruments is shown in the table below. Refer to the table for daily checks.

Note; The values marked ※ vary with location of the voltage selector switch.

| | Voltmeter (V) | Frequency meter (Hz) | Ammeter (A) | Monitor lamp | | | | | | | Indicator lamp |
|---------------------------------|-----------------|----------------------|-------------------------|--------------|--------------|------------|------------|-------------------|-------------|-----------------|----------------|
| | | | | Oil pressure | Engine temp. | Over crank | Air filter | Containment level | Boost temp. | Diagnostic Lamp | Glow |
| Before Starting up (preheating) | 0 | 0 | 0 | ● Off | ● Off | ● Off | ● Off | ● Off | ● Off | ● Off | ☀ On |
| During Operation | ※ 240 480 | 60 | Less than rated current | | | | | ● Off | | | ● Off |

- Be sure to frequently check meters and indicators for proper operation, or any machine water, oil, fuel leaks, etc.
- The above table gives standard values. They may vary slightly depending on operating conditions and other factors.
- In single-phase load operation, check the current of L1, L2, and L3 phase with the ammeter, by turning the ammeter change-over switch. Each current should be balanced if unbalanced. Change load connections so the current of L1, L2, and L3 is equally balanced. Make sure that the current of each phase does not exceed the rated one.
- When the voltage selector switch is in the single-phase 240/120V position, place the ammeter change-over switch to the L1 or L3 position to read the output.



4.7 Stopping Procedures

<Procedure>

- ① Switch "OFF" the breaker on the operation panel of the generator.
- ② After performing cooling down operation about 5 minutes, place the starter switch to the "STOP" position to stop the engine.
- ③ While the machine is kept unused, keep the operation selector switch placed to the "OFF" position.

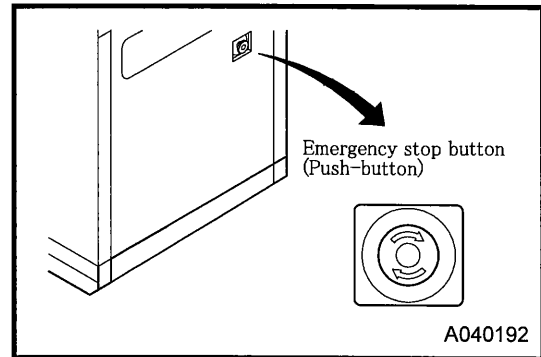
4. Operation

4.8 Emergency Stop

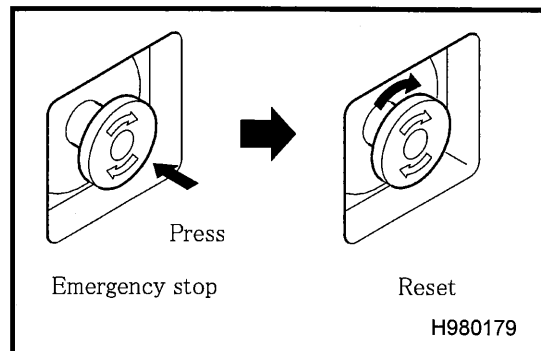
CAUTION

- The Emergency Stop button should be used only for emergency stop.
- Regularly check the operating performance.

- If it is necessary to stop the generator for emergency, press the Emergency Stop button.



- To reset the button, turn the button head in the direction of the arrow. If it is not reset, the machine cannot restart to operate.

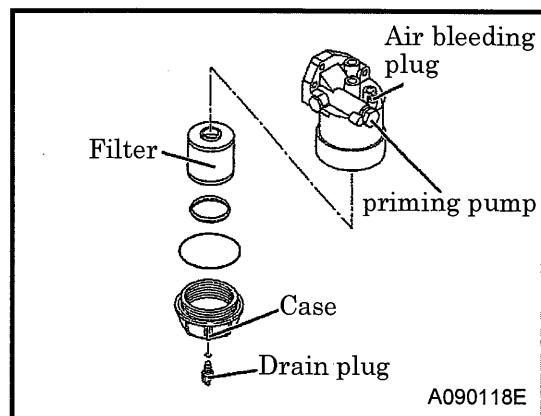


4.9 Air Bleeding

Should the machine stop due to the shortage of fuel, perform the air bleeding operation according to the following procedures.

<Procedure>

- ① Place the operation selector switch to the "MANUAL" position.
- ② Place the starter switch to "RUN" position to put electromagnetic pump into operating conditions.
- ③ Loosen the air bleeding plug of fuel filter so much. Push the priming pump more than 20 times till the fuel comes out.
- ④ Tighten the air bleeding plug and keep pushing the priming pump so that fuel can be filled (more than 10 times)
- ⑤ After waiting about one minute, loosen the air bleeding plug and then remove fuel filter.
- ⑥ Repeat the above ③-⑤ operations till air will not come out (at least more than 3 times.)
- ⑦ Tighten the air bleeding plug firmly and wipe out any trace of split fuel around.
- ⑧ Place the operation mode selection switch to "LOW" position and start engine.
But if engine will not start, try again all operation procedures from above ④.
- ⑨ Keep warming up operation for 3 minutes after engine has started.
- ⑩ Then place the operation mode selection switch to "HIGH" position and raise engine speed up to the rated speed (RPM). Thereafter, repeat mode selection operation "LOW" ⇄ "HIGH" several times.



5. Periodic Inspection/Maintenance

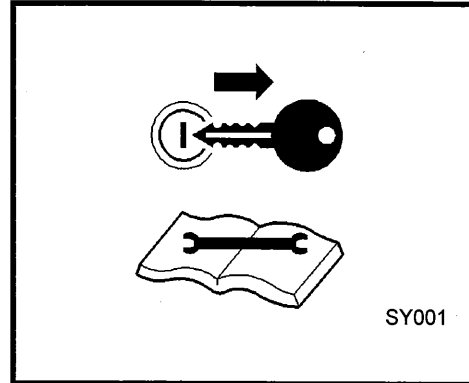
5.1 Important Items at Periodic Inspection and Maintenance or after Maintenance

- The manual shows proper interval for periodic inspection and maintenance under normally operating conditions. Inspection and maintenance should be performed more often under extremely harsh conditions.

⚠ WARNING

Hang a "Now Checking and under Maintenance" tag

- Remove the starter key from the starter switch before starting inspection, and hang up a "Now Checking and under Maintenance" tag where it can be easily seen. The checker must keep the key during checking and maintenance.
- Remove the negative (-) side cable from the battery. If the above procedure is neglected, and should another person start operating the machine during check or maintenance, it could cause serious injury.
- Be sure to use appropriate tools for inspection and maintenance work. Inappropriate tools could cause unexpected injury.



IMPORTANT

Precaution for check and maintenance

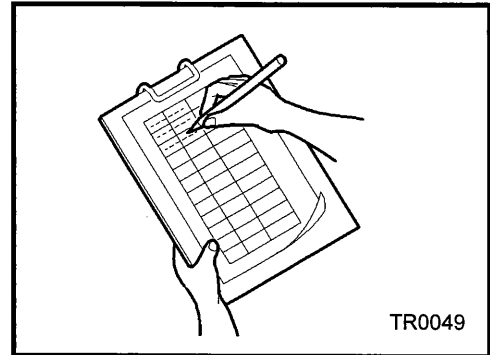
- Be sure to use recommended fuel, oil, grease, or antifreeze.
- Do not disassemble or adjust engine, compressor or part(s) for which inspection or maintenance is not referred to in this manual.
- Use genuine parts for replacement.
- Any breakdown, caused by using unapproved parts or by wrong handling, will be out of the scope of "WARRANTY".
- Do not pour water or steam on electrical components.
- Place a container or a pan underneath the oil port to receive waste liquid so that such liquid cannot be spilt out on the floor or inside the machine.
- Be sure that no waste liquid is disposed of on the ground. Such waste on the ground, river or lake will cause serious environmental contamination. Be sure to follow the local regulations. If harmful material such as oil, antifreeze solution or filters are disposed of incorrectly, the responsible person should be punished by the authority.
- Observe local regulations when disposing of such toxic materials as oil, fuel, coolant (anti-freeze), filters, and battery etc.

5. Periodic Inspection/Maintenance

5.2 Daily Inspection and Keeping Operation Log

- Be sure to carry out daily inspection every morning before operation. See Chapter 4 “OPERATION” of the manual for the details of inspection.
- Pay attention to and carefully observe the following points during daily operation or inspection and maintenance work. If any trouble or abnormality is found, immediately investigate its cause and make repairs. If the cause is unknown or not traceable, or if the trouble involves a part or component not described in the manual, ask your nearest dealer for information.
 - (a) Controls and instruments function properly.
 - (b) Quantity and any leak of water, fuel, and oil or any contamination should be checked.
 - (c) Appearance, abnormal noise or excessive heat should be checked.
 - (d) Loose bolt or nut should be checked.
 - (e) Any damage, wear or shortage of machine components and parts should be checked.
 - (f) Performance of each part or component should be proper.
- Keep the operation log to record constant inspection of each component, so that trouble of the machine can be easily discovered and preventive measures can be taken.

It is very useful to record information such as frequency, temperature, current, maintenance items and replenishment of lubricant on a daily maintenance log.



5. Periodic Inspection/Maintenance

5.3 Periodic Inspection List

Such items marked ○ shall be carried out by customers.

For the following items or clauses marked ●, contact us directly or our distributors because they require expert technical knowledge on them.

◎ Refer to engine operation manual for inspection and maintenance of an engine.

(Unit : Hour)

| Maintenance | | Daily | 50 | 250 | 500 | 1,000 | Page | Remarks |
|----------------------------------------|-----------------------------------------------------------------|-------|-------------------|--------------------|-----|----------------------|------|----------------------------------|
| Generator | Check of thermo-label on the stator. | ○ | | | | | 4-12 | |
| | Cleaning instruments in control panel. | ○ | | | | | 4-12 | |
| | Check each instrument and warning lamp. | ○ | | | | | 4-16 | |
| | Check insulation resistance. | | | ○ | | | 5-6 | |
| | Check GFCI receptacles. | | | ○ Every monthly | | | 5-7 | |
| | Check of thermo-label on the rotor bearing. | | | ○ | | | 5-7 | Every 2 months |
| | How to check thermal relay. | | | ○ | | | 5-7 | |
| Engine | Check engine oil level. | ○ | | | | | 4-10 | |
| | Check coolant level. | ○ | | | | | 4-10 | |
| | Check fuel. | ○ | | | | | 4-11 | |
| | Check fuel pre-filter drain. | ○ | | | | | 4-11 | |
| | Check belt tension. | ○ | | | | | 4-12 | In the case of NG, it exchanges. |
| | Check condensate in the oil fence. | ○ | | | | | 4-12 | |
| | Change engine oil. | | ○ (First time) | | ○ | | 5-5 | |
| | Change engine oil filter. | | ○ (First time) | | ○ | | 5-6 | |
| | Check and clean clogging of air filter element. | | | ○ | | | 5-8 | |
| | Drain fuel tank. | | | ○ | | | 5-8 | |
| | Check battery electrolyte. | | | ○ | | | 5-9 | |
| | Check Specific gravity of battery electrolyte. | | | | ○ | | 5-9 | |
| | Check looseness in pipe connector terminals and tear in wiring. | | | | ○ | | 5-9 | |
| | Change fuel filter and fuel pre-filter. | | | | ○ | | 5-9 | |
| | Clean outside of radiator and Intercooler. | | | | ○ | | 5-10 | Dirt condition cleans. |
| | Change breather separator. (PCV Filter) | | | | ○ | | 5-10 | SDG150S only |
| | Drain condensate out of intercooler. | | | | ○ | | 5-10 | |
| | Clean filter inside the fuel air-bleeding electromagnetic pump. | | | | ○ | | 5-10 | |
| | Clean inside of the oil fence and check it for any rust. | | | | | ○ | 5-11 | Check it every other year. |
| | Change coolant. | | | | | ○ (Every 2 years) | 5-12 | |
| | Change air filter element. | | | | | ○ | 5-13 | |
| | Check rubber hose. | | | | | ○ | 5-13 | |
| | Check engine valve clearance. | | | | | ● | | |
| Check and measure compression pressure | | | | | ● | | | |
| Clean inside the radiator. | | | | | ● | | | |

5. Periodic Inspection/Maintenance

5.4 Periodic Replacement of Parts

IMPORTANT

Use our genuine elements

- Air filter is a crucial component for the performance and the life of a unit.
Use genuine part for replacement.
- Part number changes upon modification. For replacement of parts, make sure whether the part number is correct or applicable.

| Part Name | Part Number | | | Quantity |
|-------------------------------------------------------------|----------------------|---------|----------------------|----------|
| | SDG100S | SDG125S | SDG150S | |
| Air filter element | 32143 | 16200 | 32143 12500 | 1 |
| Engine oil filter element kit | ISUZU 113240-2322 | | | 1 |
| Fuel filter element kit | 43543 01000 | | | 1 |
| Fuel pre-filter element kit | 43543 00900 | | | 1 |
| Belt | ISUZU 898062-7130 | | ISUZU 898046-1660 | 1 |
| Breather separator (Element kit, PCV) | — | | ISUZU 898030-5320 | 1 |
| Gasket for filter inside fuel air-bleeding electric pump | ISUZU 898071-4040 | | | 1 |

5. Periodic Inspection/Maintenance

5.5 Maintenance

5.5.1 Change Engine Oil

[At 50 hours for the first change and every 500 hours thereafter]

CAUTION

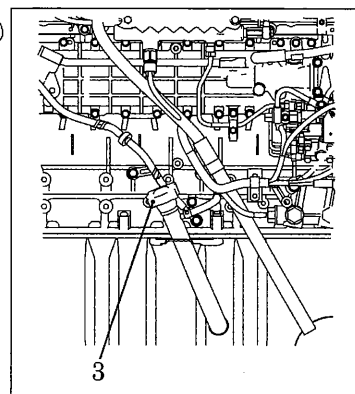
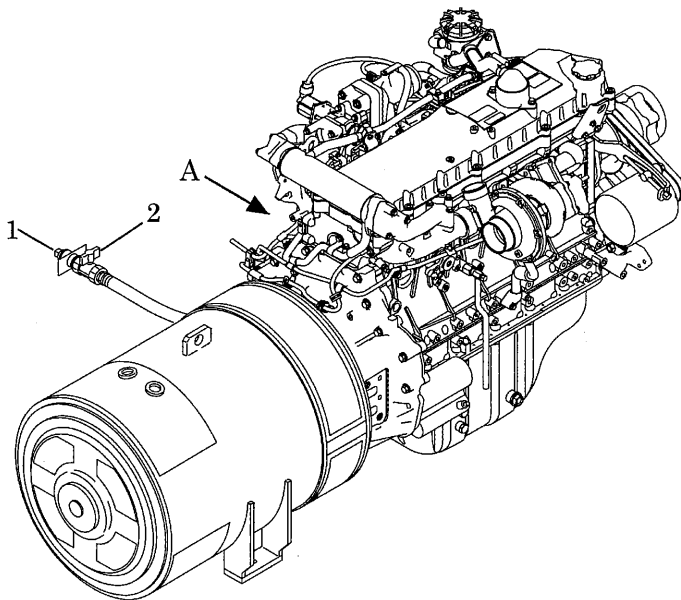
Caution in filling or draining engine oil

- When checking, replenishing, and draining the engine oil, be sure to wait 10 to 20 minutes after engine stops until it cools down.
- Engine oil is very hot and highly pressurized during or just after the operation. Hot oil could blow out and can cause injury.
- Never supply more engine oil than the proper level. Too much oil could cause white smoke out of the exhaust, and it can cause damage and accident to engine.



<Procedure>

- ① Loosen the drain plug "1" located outside the frame to drain the oil. Open the drain valve "2" provided inside the machine to drain condensate.
- ② After finishing drainage, close the drain valve "2" securely and install the plug "1" and supply engine oil through oil filler port "3" .
- ③ After finishing the oil supply, tighten the cap of oil filter port "3" firmly.



VIEW-A

SDG150S-8B1

A070320

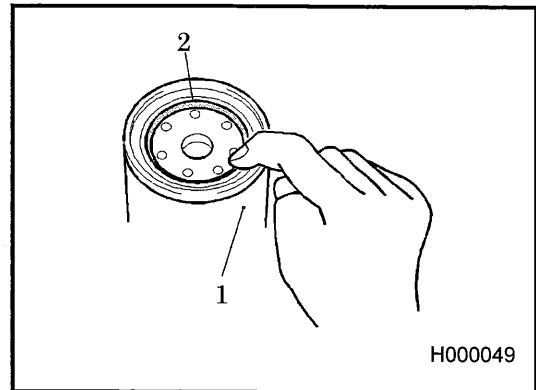
5. Periodic Inspection/Maintenance

5.5.2 Change Engine Oil Filter

[At 50 hours for the first change and every 500 hours thereafter]

<Procedure>

- ① When installing a new oil filter "1", spread oil over the packing "2", and then screw it in. After the packing "2" touches the sealing face, tighten another 2/3 turn with a filter wrench.
- ② After the oil filter "1" is assembled, check if there are any oil leaks during operation. (See 5.4)



5.5.3 Check Insulation Resistance

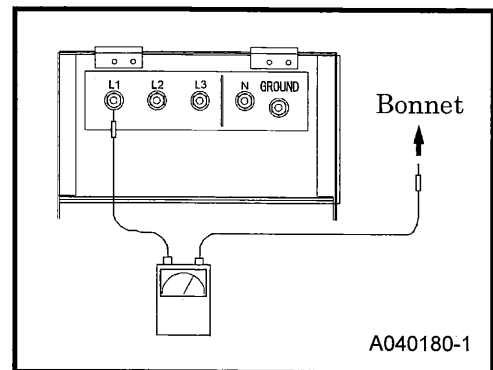
[Every 250 hours]

IMPORTANT

- When the generator has not been operated for a long time or moisture has entered inside the machine, be sure to measure the insulation resistance. If resistance is lower than $1M\Omega$, it could cause an electrical leakage or fire. Dry the generator with compressed air until the resistance exceeds $1M\Omega$ prior to operating.
- Since the generator insulation may drop when moisture, oil vapor, and dust are stuck, always keep the machine clean.

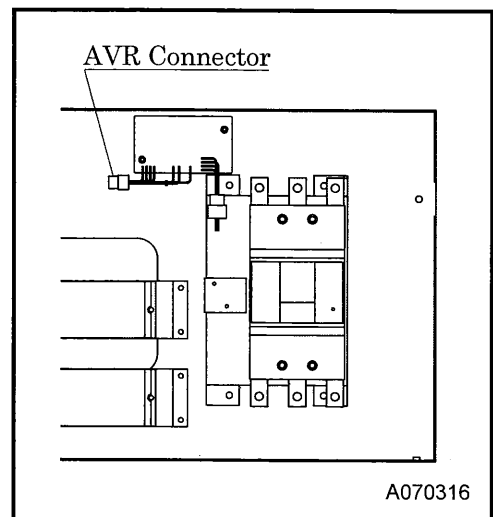
<Procedure> <Megger tester required>

- ① Remove the load side cable from the output terminal board.
- ② Remove "N" and "GROUND" grounding wires on the back of the output terminal plate from the engine side.
- ③ Remove the AVR connector inside the generator control panel.
- ④ Switch ON the three-phase breaker, measure each insulation resistance between the terminals L1, L2, L3 terminal and bonnet.
- ⑤ Insulation resistance when measured with a 500 V megger tester must be above $1M\Omega$.
- ⑥ After finishing the measurement of insulation resistance re-install them in the same position as they were.



WARNING

- After checking and confirming that the insulation resistance of "N" and "GROUND" grounding wires are higher than $1M\Omega$, re-install them in the same position as they were. If "N" and "GROUND" grounding wires are not connected, it could cause an electrical leakage, resulting in an electric shock. Make sure to connect them without fail.



5. Periodic Inspection/Maintenance

5.5.4 Check GFCI Receptacles

[Monthly or 250 hours operation, whichever comes first.]

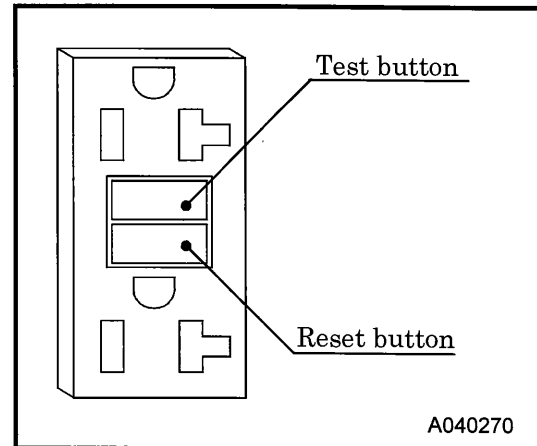
WARNING

- If the generator is stored outdoors, unprotected from the weather, test the GFCI receptacle before each use.
- In case the GFCI has tripped due to the hazard of ground fault currents, investigate the cause and correct it.

Regularly check the GFCI operation for safety.

<Procedure>

- ① Unplug all appliances from the generator.
- ② Start the engine.
- ③ Turn each single-phase and three-phase breaker ON.
- ④ Press the TEST BUTTON
 - The RESET BUTTON should extend with a click.
 - If the RESET BUTTON does not extend, contact your nearest dealer.
- ⑤ Press the RESET BUTTON
- ⑥ When the RESET BUTTON extends during peration.
 - Unplug all appliances from the GFCI protected receptacle.
 - Press the RESET BUTTON:

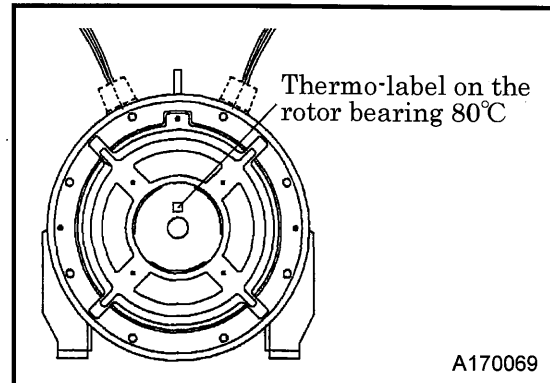


IF THE GFCI CANNOT BE RESET: The GFCI is faulty. Contact your nearest dealer.
IF THE GFCI RESETS PROPERLY: Check the appliance or the power cord.

5.5.5 Check of thermo-label on the rotor bearing

[Every 2 months or every 250 hours]

- Thermo-label on the rotor bearing irreversibly changes its color from white to blue by reaching or exceeding 80°C. Be sure to check the bearing for backlash and noise.
- Replace thermo-label, if it have changed the color once.
- When replace it, contact our office nearby or distributor.

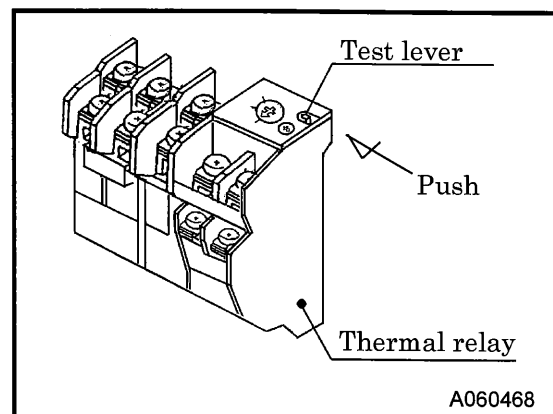


5.5.6 How to check thermal relay

[Every 250 hours]

<Procedure>

- ① Turn the starter switch to ON.
- ② Set the main breaker to ON.
- ③ The three phase main breaker will trip if you push the test lever of the thermal relay in the arrow direction.
- ④ Note that once the three phase main breaker trips to the off position, the single phase breaker that supplies power to the GFCI outlets can still be ON.



5. Periodic Inspection/Maintenance

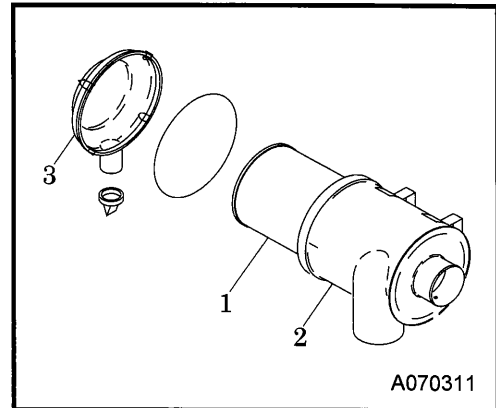
5.5.7 Check and Clean Clogging of Air Filter Element

[Every 250 hours]

IMPORTANT

Be sure to properly clean air filter element

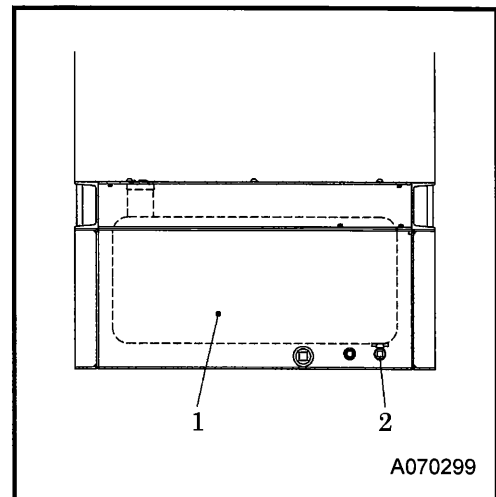
- When an element that is clogged or has holes or cracks is used, dust or foreign material will get in the engine. This causes accelerated wear in each sliding part of the engine. Be sure to make daily check and cleaning so that the life of the engine will not be shortened.
- If the warning lamp for air filter clogging glows, remove the element "1" and clean or replace it after inspection.
- In case you attach the cup "2" after element cleaning, please push into a case "3" firmly by hand, and fasten after checking having applied the hook of the handle for cup fixation to the case "3" .



5.5.8 Drain Fuel Tank

[Every 250 hours]

- Drain the condensate accumulated in the fuel tank "1" by removing the drain plug "2".
- After making sure that the condensate is completely drained, install the drain plug "2" firmly.
- Drain the condensate in container, and then dispose of condensate according to the designated regulations.



5. Periodic Inspection/Maintenance

5.5.9 Check Battery electrolyte and specific gravity of battery electrolyte

- Battery electrolyte : every 250 hours
- Specific gravity of battery electrolyte : every 500 hours

If there to be a problem in starting an engine due to a flat battery, carry out the checks by following the procedures below:

1. Ordinary type battery:

Measure specific gravity of battery electrolyte, and if it shows below 1.24, recharge the battery immediately. (See 6.1)

2. Enclosed type battery:

Check the indicator on top surface of the battery.

If the indicator shows that charge is needed, recharge the battery immediately.

5.5.10 Check Wiring of Each Part

[Every 500 hours]

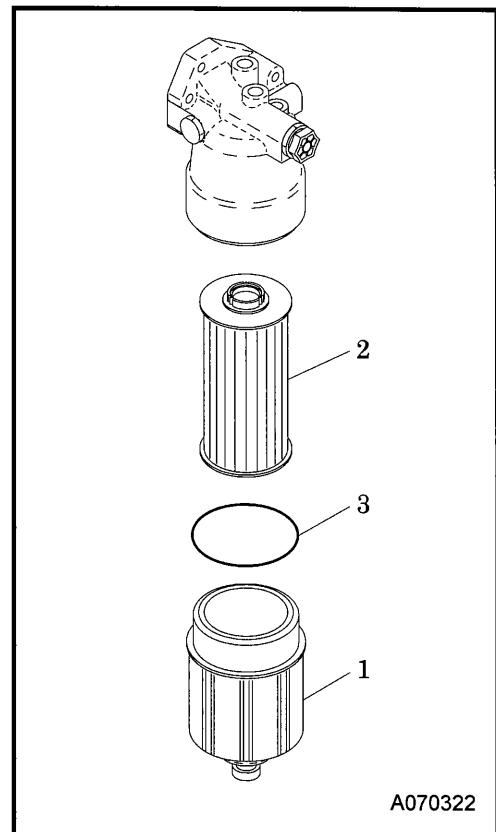
Check each wiring for any loose connection, damage, disconnection, and short circuit.

5.5.11 Change Fuel Filter and Fuel Pre-Filter

[Every 500 hours]

<Procedure>

- ① Remove the lower case "1" , using a filter wrench.
 - ② After coating fuel on the new element "2" packing "3" , screw it in. (See 5.4)
 - ③ When the packing "3" touches the seal face, tighten it using a filter wrench.
 - ④ Bleed the air of fuel. (See 4.9)
 - ⑤ After installing a fuel filter, check for fuel leakage during operation.
- For details, refer to engine operation manual.



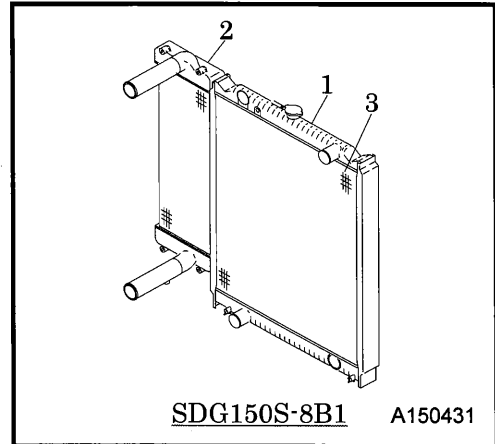
A070322

5. Periodic Inspection/Maintenance

5.5.12 Clean outside of Radiator and Intercooler

[Every 500 hours]

- When the fin tubes "3" of radiator "1" and inter cooler "2" are clogged by dust or other foreign materials, the heat exchange efficiency drops and this will raise coolant temperature. These tubes and fins should be cleaned depending on the state of dirt inside the tubes even before maintenance schedule.
- Do not use high pressure washer for washing to prevent fin tubes "3" from being damaged.
- When the unit is used, installed near seaside and on boat board, clean the radiator using fresh water more times than once a month.

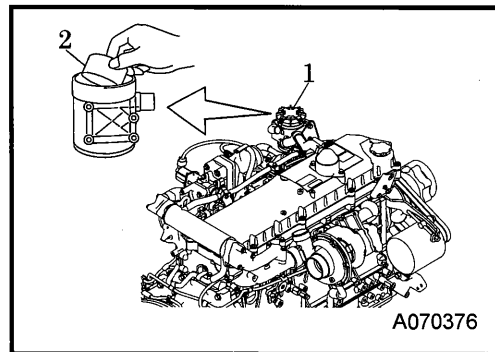


5.5.13 Change breather separator (PCV Filter) (SDG150S only)

[Every 500 hours]

<Procedure>

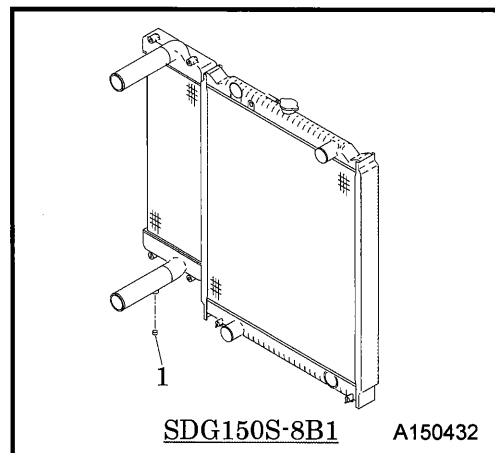
- ① Remove the cap "1" of breather separator (PCV Filter) and take out the filter element "2" from the inside.
- ② Install a new filter element "2" and further secure the cap "1".



5.5.14 Drain condensate out of intercooler

[Every 500 hours]

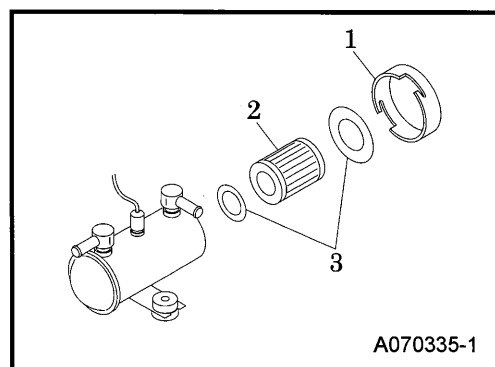
- Remove the pipe plug "1" provided under the intercooler, and drain condensate.



5.5.15 Clean filter inside the fuel air-bleeding electromagnetic pump

[Every 500 hours]

- Turning the cap "1" counterclockwise to remove it, the filter "2" (steel mesh type) inside will come off. So, clean it. (See 5.4)
- Whenever the filter "2" is removed, the gaskets "3" should be replaced without fail.
- As the fuel inside spills out when it is removed, prepare a fuel receiver.



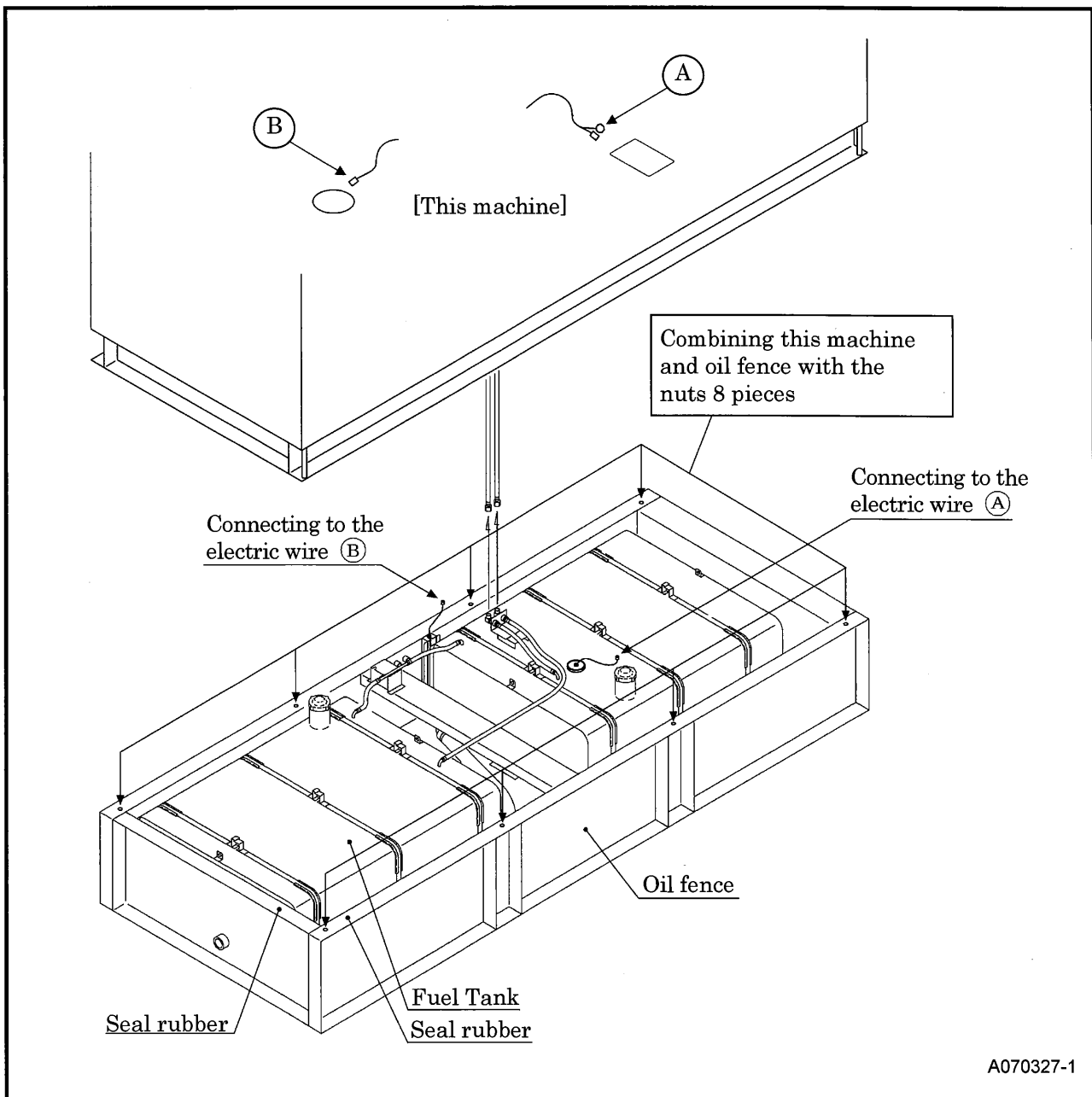
5. Periodic Inspection/Maintenance

5.5.16 Clean inside of the oil fence and check it for any rust

[Every 1 years]

<Procedure>

- ① Remove the fuel pipes and electric wire connected to the fuel tank.
- ② Remove 8 pieces of the bolts connecting oil fence and the machine with the lifting eye hooked with the crane.
- ③ Lift up the machine to separate the oil fence from the machine.
- ④ Check and clean the inside of the oil fence.
 - Check the inside of the oil fence for dust, fur and other foreign matter and check it for any rust.
 - When the oil fence is found rusted, remove the rust outside and inside and paint it again.
 - Should any leakage be found, contact your dealer or us directly.
- ⑤ Check whether the seal rubber attached on the top of oil fence is slanted or curved.
- ⑥ Combining this machine and the oil fence, tighten the nuts 8 pieces.
- ⑦ Install fuel pipes and also electric wires.
 - For details, refer to engine operation manual.



5. Periodic Inspection/Maintenance

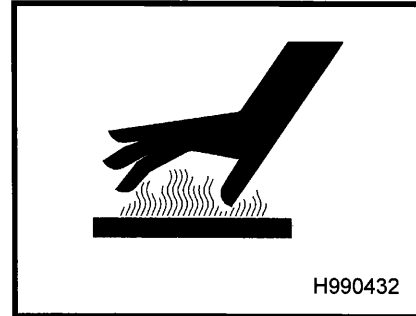
5.5.17 Change Coolant

[1,000 hours or every 2 years]

CAUTION

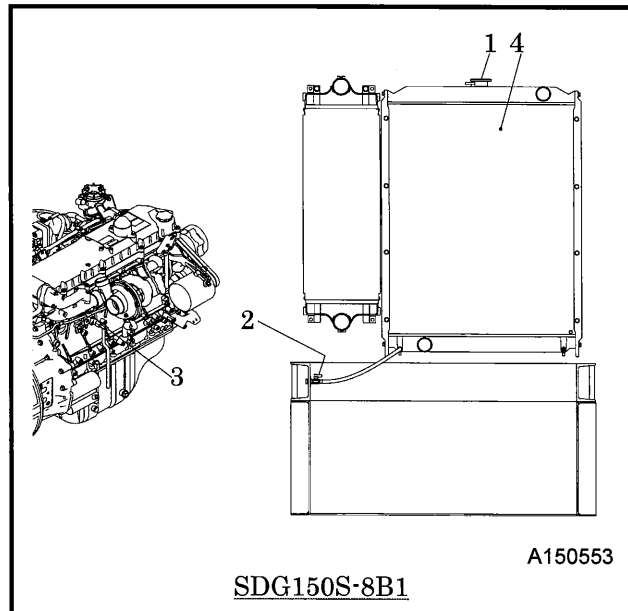
- Be sure to stop the machine and loosen the radiator cap slowly, after the coolant water is sufficiently cooled and the inner pressure is released, then take the cap off.
If the following procedures are neglected, the radiator cap could be blown by the internal pressure or hot moisture air be blown out to cause burning. Therefore, make sure to carry out them without fail.
- LLC (Antifreeze) is a toxic material.
- If it should be swallowed by mistake, it is necessary to see a doctor immediately instead of being sent out enforcedly.
- When a person gets LLC (Antifreeze) in his eyes, wash the eyes with clean running water and make him see a doctor immediately.
- When LLC (Antifreeze) is stored, put it in a container with an indication saying "LLC (Antifreeze) inside" and seal it up, then Keep it in a place away from children.
- Beware of flames.

Upon changing coolant



<Procedure>

- ① To drain coolant, remove the radiator cap "1", then loosen the drain valve "2".
 - ② Be sure to also unfasten the drain plug "3" on the engine cylinder block for drainage.
 - ③ When the coolant is completely drained out, close each drain valve "2" and drain plug "3", and supply new coolant from the filler port of radiator "4".
 - ④ After changing the coolant, run the engine under unload operation for 2 to 3 minutes, then stop it. Check the coolant level again and replenish it if necessary.
- For details, refer to engine operation manual.



5. Periodic Inspection/Maintenance

5.5.18 Change Air Filter Element

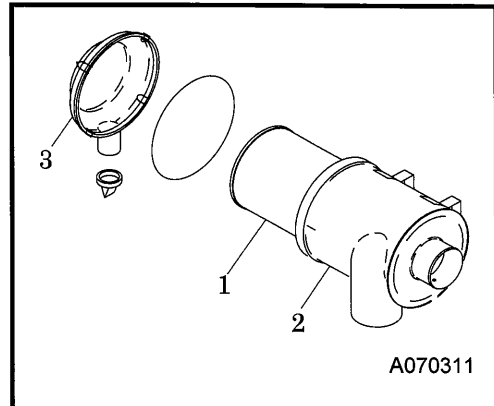
[Every 1,000 hours]

IMPORTANT

Be sure to properly clean air filter element

- When an element that is clogged or has holes or cracks is used, dust or foreign material will get in the engine. This causes accelerated wear in each sliding part of the engine. Be sure to make daily check and cleaning so that the life of the engine will not be shortened.

- If the warning lamp for air filter clogging glows, remove the element "1" and replace it after inspection. (See 5.4)
- In case you attach the cup "2" after element change, please push into a case "3" firmly by hand, and fasten after checking having applied the hook of the handle for cup fixation to the case "3" .



5.5.19 Check Rubber hose

[Every 1,000 hours]

- When any crack or wear is found on the hoses, change it even before the scheduled time.
- Ask your nearest dealer for its replacement.

5. Periodic Inspection/Maintenance

5.6 Periodical Load Test to be Performed

[Check and inspection upon each occurrence of the following phenomena]

When a diesel engine driven generator is continuously operated with less than 30% load or no load for a long time, carbon will be stuck inside exhaust pipe, exhaust muffler and engine body and also unburned fuel will come out from connected portion of exhaust pipe and outlet port of exhaust muffler. If it is continuously operated under the conditions, the fuel which comes out can ignite and it could cause a fire.

Further, carbon sticking and carbon accumulated could cause power drop of the engine and also it could cause overheating to the engine, resulting a serious damage to the engine. In case that this phenomena occurs, eliminate the carbon accumulated by burning it during the operation with a load burdened until the exhaust gas becomes almost clear.

(For load current, refer to the following table as a standard value.)



CAUTION

- In case of load operation, increase load factor, checking the conditions of exhaust.
Carefully perform load operation, watching the surroundings because it could sometimes cause sparks.

| Type | | SDG100S-8B1 | | SDG125S-8B1 | | SDG150S-8B1 | |
|---------------|----|-------------|------|-------------|-------|-------------|-------|
| Frequency | Hz | 60 | | 60 | | 60 | |
| Rated voltage | V | 240 | 480 | 240 | 480 | 240 | 480 |
| Load current | A | 192.8 | 96.0 | 240.0 | 120.0 | 288.8 | 144.0 |

6. Maintenance/Adjustment

6.1 Maintenance of Battery

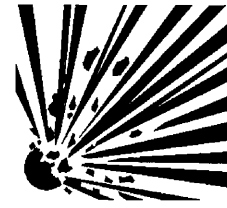
DANGER

- Keep flames away from battery.
- Battery may generate hydrogen gas and may explode.
- Therefore, recharging should be done at a well-ventilated place.
- Do not spark near the battery nor light a match, nor bring lit cigarette and match close to the battery.
- Do not check the battery by short-circuiting the positive and negative terminals with a metallic piece.
- Never operate the machine nor charge the batteries with the battery liquid level being kept lower than the "LOWER" level. Continuing operation at this lower level will cause deterioration of such parts as pole plates etc., and also it may cause explosion as well as reduction of battery life.
Add distilled water so that the liquid level may reach the middle level between the "UPPER" and "LOWER" level without any delay.
- Do not charge the frozen battery. Otherwise it may explode. If the battery is frozen, warm it up until the battery temperature becomes 16°C to 30°C.
- Battery electrolyte is dilute sulfuric acid.
In case of mishandling, it could cause skin burning.
- Wear protective gloves and safety glasses when handling a battery.
- When such battery electrolyte contacts your clothes or skin, wash it away with large amount of water immediately.
- If the battery electrolyte gets into your eyes, wash it away immediately with plenty of water and see a doctor at once, because it is feared that eyesight might be lost.
- Dispose of battery, observing local regulations.

Handling battery



D004



W010



TR0093

CAUTION

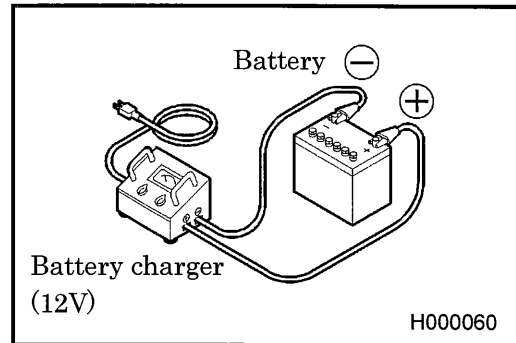
Reverse connection prohibited

- Never reverse the cable connections. — When a booster-cable is unavoidably used or when a set of cables is connected after a battery change, be sure to correctly connect the electric terminals (+) and (-). Reversely-connected cables will cause sparks or damage to components.

6. Maintenance/Adjustment

6.1.1 Charge Battery

- Disconnect the cable between battery and the unit, and charge the battery with a 12 V battery charger. Do not charge two batteries at the same time.
- Be sure not to connect (+) and (-) terminals backwards.
- Be sure to read the operation manual of the battery charger to know if it is applicable, before using it.



6.1.2 How to Use Booster Cable

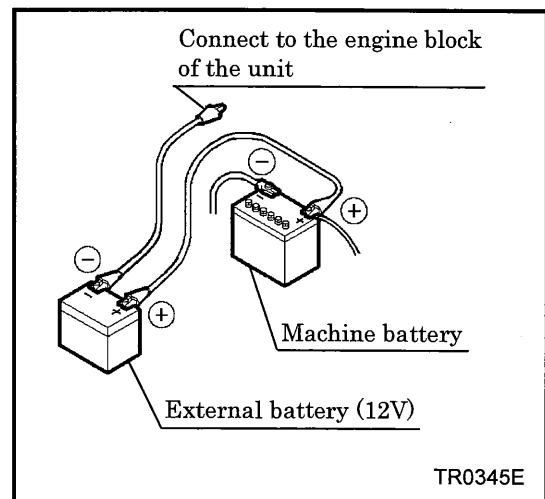


Do not connect the cable reversely

- When a booster cable has to be used or when cables are connected again after an battery is replaced, be careful not to connect (+) and (-) terminals backwards. Such wrong-connection will cause spark and damage to each component.

<Procedure for using a booster cable>

- ① Stop the engine.
- ② Connect one end of the (+) cable to the (+) terminal of the machine battery.
- ③ Connect the other end of the (+) cable to the (+) terminal of the external battery.
- ④ Connect one end of the (-) cable to the (-) terminal of the external battery.
- ⑤ Connect the other end of the (-) cable to the engine block of the machine.
- ⑥ Start up the engine.
- ⑦ Disconnect the booster cable by following the procedure back in the reverse order.



6. Maintenance/Adjustment

6.2 Troubleshooting

- Should any trouble occur during operation, do not leave it. Investigate the cause and take appropriate measures.
- Read the manual carefully and fully understand what to do in case of trouble.
- The better you understand the construction and function of the unit, the faster you can find a problem and solution.
- This chapter describes the state, cause and countermeasures of important troubles in detail:
- When “DIAGNOSTIC LAMP” turn on, push “DIAGNOSTIC BUTTON” and check “FAULT CODE”. See “OPERATOR’S MAUAL” and research the cause of trouble.

| Symptom | Cause | Counter measures |
|---------------------------------------------------------------------------|------------------------------------------------------------------------------------------------------------------------------------------------------------------------------------------|-------------------------------------------------------------------------------------------------|
| Starter does not rotate. Low starter revolution speed even when starting. | (1)Battery malfunction | Check Battery→Charge/Change |
| Starter rotates but engine does not start up. | (1)Fuel filter clogging (2)Fuel pre filter clogging (3)No diesel fuel oil (4)Air mixing in fuel pipings | Disassemble, clean, and change Disassemble, clean, and change Replenish fuel Bleed air |
| Engine oil pressure drop monitor lamp glows. | (1)Engine oil shortage (2)Engine oil filter clogging (3)Oil pressure switch malfunction (4)Loosened or disconnected wiring, or connector | Replenish fuel Change Change Check/repair |
| Coolant temperature rise monitor lamp glows. | (1)Radiator clogging (2)Faulty thermostat (3)Faulty coolant temperature switch (4)Shortage of coolant (5)Slip of belt (6)Looseness, disconnection of wiring or connectors | Clean Change Change Replenish Adjust tension Check/repair |
| Leakage relay lamp glows. | (1)Leakage on generator side (2)Leakage on load side (3)Leakage on connecting cable (4)Defective leakage relay | Check/repair Check/repair Check/repair Check/repair |
| The monitor lamp for air filter clogging flickers. | (1)Air filter clogging | Clean |
| Oil fence monitor lamp glows. | (1)The condensate (fuel, engine oil and coolant) is accumulated in the oil fence. (2)The liquid surface level detecting switch does not function good. | Drain the condensate. Check/change |

6. Maintenance/Adjustment

| Symptom | Cause | Counter measures |
|-----------------------------------------------------------------------------------------------------------------------------------------------------------|-----------------------------------------------------------------------------------------------------------------------------------------------------------------------------------------------------------------------------------------------------------------------------------------------------------------------------------------------------------|-----------------------------------------------------------------------------------------------------------------------------------|
| Even when operated at a rated speed, no voltage or too low voltage generated. | (1) Faulty voltmeter (2) Poor tightening of terminals (3) Broken or short-circuited winding of generator main unit (4) Faulty AVR (5) Faulty silicon rectifier (mounted on generator rotor) (6) Faulty exciter (7) Broken or short-circuited circuit to exciter field winding (8) Function circuit protector (CP) for AVR protection | Check/change Check/repair Check/repair Check/change Check/change Check/repair Check/repair Reset |
| Too high voltage generated when set at the rated frequency (50Hz/60Hz), Voltage will not drop even when the voltage regulator controlling knob is turned. | (1) Loosened or disconnected wiring, or connector to AVR (2) Faulty AVR (3) Broken wire or poor contact of AVR variable resistor | Check/repair Check/change Repair or change |
| Unstable voltage generation | (1) Poor tightening of each terminal (2) Faulty AVR (3) Function circuit protector (CP) for AVR protection | Check/repair Check/change Reset |

- Please contact your nearest dealer if you find it difficult to repair by yourselves.
- Please refer to the engine operation manual for troubles concerning the engine.

6. Maintenance/Adjustment

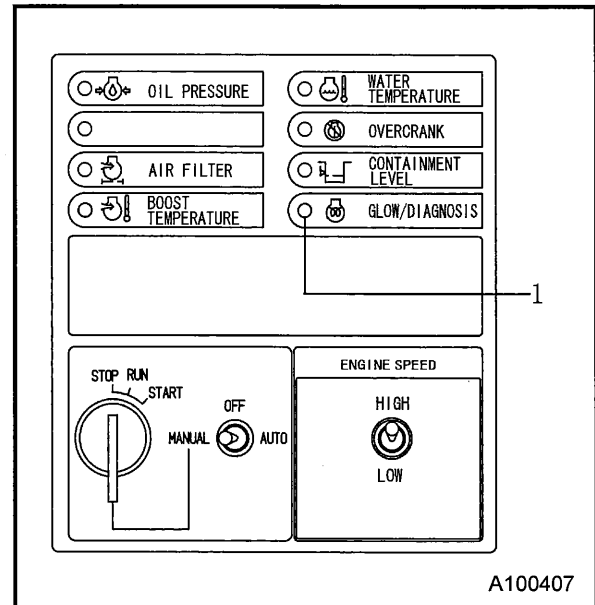
1

6.2.1 Engine trouble

- This unit is equipped with a device of controller which memorizes contents of engine trouble. When engine fails, trouble diagnosis lamp "1" goes on. For the details of the trouble, press trouble diagnosis switch "2" and then it displays the conditions of the failure, lamp blinking.

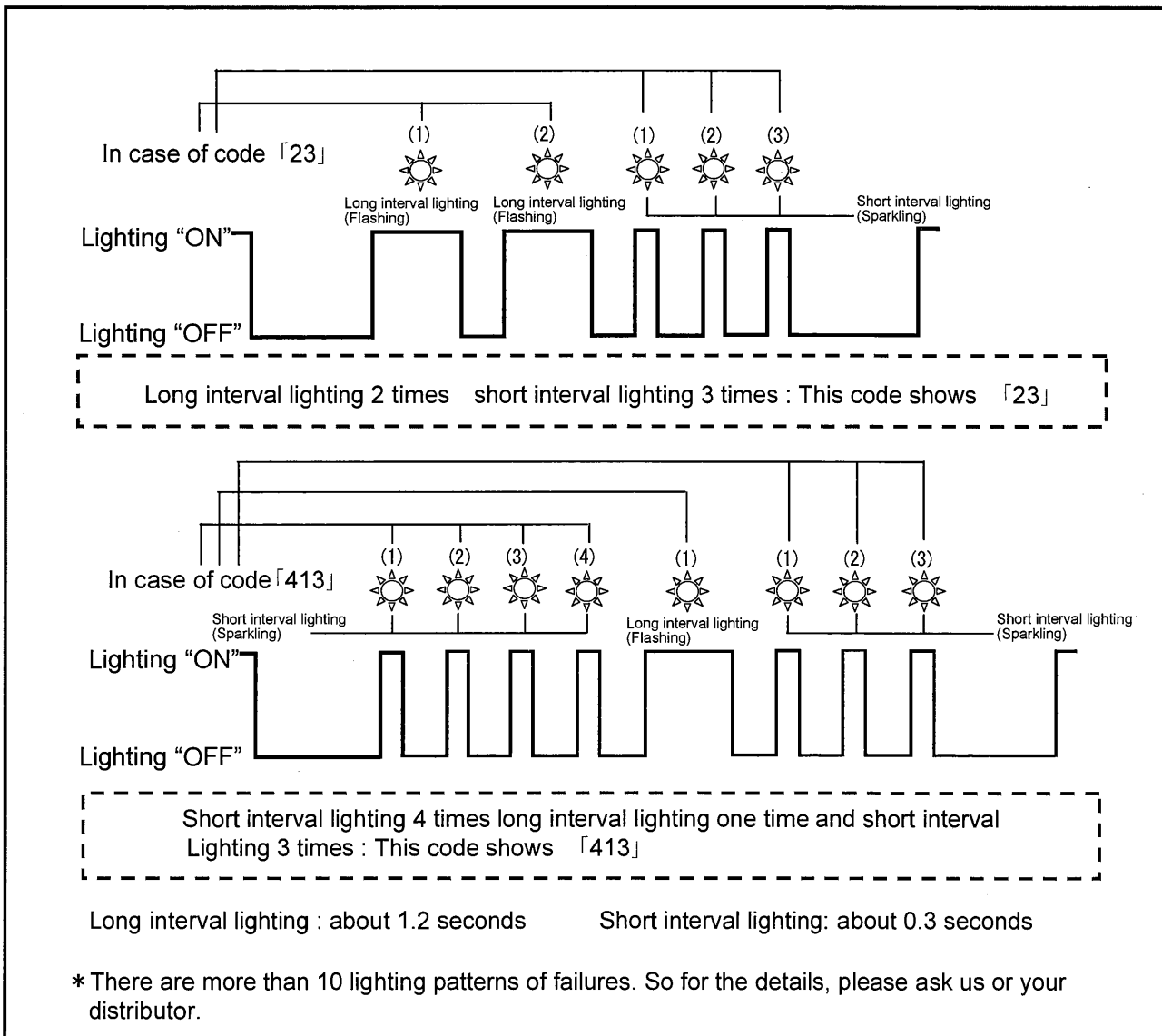
<Procedures>

- ① Turning starter switch to "RUN" position, keep pressing trouble diagnosis switch "2".
 - ② In case that any trouble is found while it is kept pressing, trouble diagnosis lamp "1" displays the details of the failure by lamp lighting.
- To solve or repair failures, special knowledge is required. Contact your nearest distributor or directly us.



A100407

[Example of diagnosis lamp lighting]



7. Storage of the Machine

7.1 Preparation for Long-term Storage

When the machine is left unused or not operated longer than half a year (6 months), store it at the dry place where no dust exists after the following treatments have been done to it.

- Put the machine in a temporary cabin if it is stored outside. Avoid leaving the machine outside with a sheet cover directly on the paint for a long time, or this will cause rust to the machine.
- Perform the following treatments at least once every three months.

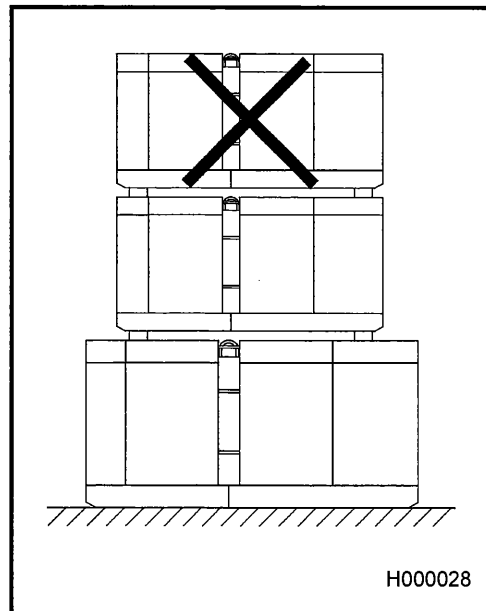
<Procedure>

- ① Discharge existing lubricant from the engine oil pan. Pour new lubricant in the engine to clean its inside. After running it for a while, drain it again.
- ② Spread lubricant on each moving part.
- ③ Completely charge the battery and disconnect grounding wires. Remove the battery from the machine, if possible, and store it in a dry place. (Charge the battery at least once every month.)
- ④ Discharge coolant and fuel from the machine.
- ⑤ Seal air-intake port of engine and other openings like the muffler with a vinyl sheet, packing tape, etc., to prevent moisture and dust from getting in the machine.
- ⑥ Measure the insulation resistance of the generator, and make sure that it is more than $1M\Omega$.
(See 5.5.3)
- ⑦ Be sure to repair any trouble and maintain the machine so that it will be ready for the next operation.

WARNING

- When stacking up the machines for storage, only two machines stacking is acceptable. The mass of the lower machine should be larger than that of the upper one.
- Select a leveled floor with sufficient strength.
- Before stacking the machines up, check the machine for deformation of bonnet, looseness or missing of bolts, and other parts.
- When stacking them, be sure to securely fix them as shown in the figure so that the balanced weight is applied to each squared lumber for preventing a sideslip or a collapse.
- Never operate the machines with stacking conditions. It is very dangerous.
- Machines stacked could fall down due to sideslip or collapse when an earthquake occurs. Therefore, safety should be sufficiently considered for surroundings of storage places.

Stacking up box type machines



8. Specifications

8.1 Specifications

| Model | | SDG100S-8B1 | | | |
|------------------------|---------------------------------------|--------------------------|---------------------------------------------------------------------|--------|---------|
| Generator | Exciting system | | Brushless | | |
| | Armature connection | | Star with Neutral | ZigZag | |
| | Phase number | | Three | Single | |
| | Power factor | % | 80 | 100 | |
| | Frequency | Hz | 60 | | |
| | Rated output | kVA | 100 | 58 | |
| | Rated output | kW | 80 | 58 | |
| | Voltage | V | 240 | 480 | 240/120 |
| | Current | A | 241 | 120 | 242 |
| Engine | Model | | ISUZU 4HK1X | | |
| | Type | | 4-cycle, water-cooled, direct injection, turbo charged, intercooled | | |
| | Number of cylinders | | 4 | | |
| | Total displacement | cu. in. (L) | 317 (5.193) | | |
| | Rated output | hp (kW) | 152 (113.6) | | |
| | Revolution per minute | rpm (min ⁻¹) | 1,800 (1,800) | | |
| | Lubricating oil capacity | gal. (L) | 5.4 (20.5) | | |
| | Coolant capacity (including radiator) | gal. (L) | 5.7 (21.5) | | |
| | Battery | | 170F51 (12V) | | |
| | Fuel tank capacity | gal. (L) | 198 (740) | | |
| General Specifications | Overall length | in. (mm) | 100 (2,450) | | |
| | Overall width | in. (mm) | 46 (1,180) | | |
| | Overall height | in. (mm) | 72 (1,830) | | |
| | Net dry mass (weight) | lbs (kg) | 4,619 (2,095) | | |
| | Operating mass (weight) | lbs (kg) | 6,063 (2,750) | | |
| Others | The capacity of oil fence | gal. (L) | 38 (145) | | |

8. Specifications

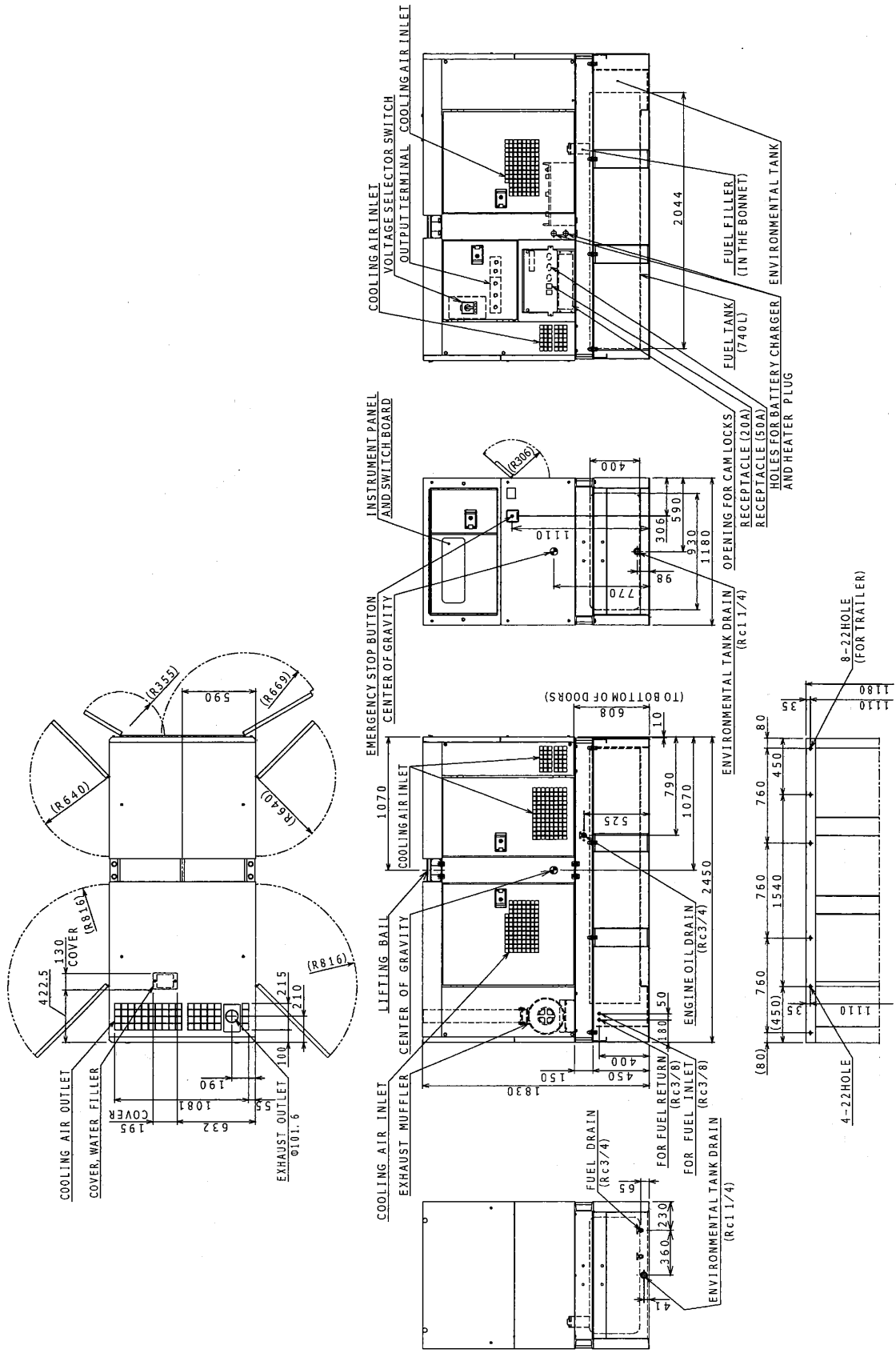
| Model | | SDG125S-8B1 | | | |
|------------------------|---------------------------------------|--------------------------|---------------------------------------------------------------------|--------|---------|
| Generator | Exciting system | | Brushless | | |
| | Armature connection | | Star with Neutral | ZigZag | |
| | Phase number | | Three | Single | |
| | Power factor | % | 80 | 100 | |
| | Frequency | Hz | 60 | | |
| | Rated output | kVA | 125 | 72 | |
| | Rated output | kW | 100 | 72 | |
| | Voltage | V | 240 | 480 | 240/120 |
| | Current | A | 300 | 150 | 300 |
| Engine | Model | | ISUZU 4HK1X | | |
| | Type | | 4-cycle, water-cooled, direct injection, turbo charged, intercooled | | |
| | Number of cylinders | | 4 | | |
| | Total displacement | cu. in. (L) | 317 (5.193) | | |
| | Rated output | hp (kW) | 152 (113.6) | | |
| | Revolution per minute | rpm (min ⁻¹) | 1,800 (1,800) | | |
| | Lubricating oil capacity | gal. (L) | 5.4 (20.5) | | |
| | Coolant capacity (including radiator) | gal. (L) | 5.7 (21.5) | | |
| | Battery | | 170F51 (12V) | | |
| Fuel tank capacity | gal. (L) | 198 (740) | | | |
| General Specifications | Overall length | in. (mm) | 100 (2,450) | | |
| | Overall width | in. (mm) | 46 (1,180) | | |
| | Overall height | in. (mm) | 72 (1,830) | | |
| | Net dry mass (weight) | lbs (kg) | 4,729 (2,145) | | |
| | Operating mass (weight) | lbs (kg) | 6,173 (2,800) | | |
| Others | The capacity of oil fence | gal. (L) | 38 (145) | | |

8. Specifications

| Model | | SDG150S-8B1 | | | |
|------------------------|---------------------------------------|--------------------------|---------------------------------------------------------------------|--------|---------|
| Generator | Exciting system | | Brushless | | |
| | Armature connection | | Star with Neutral | ZigZag | |
| | Phase number | | Three | Single | |
| | Power factor | % | 80 | 100 | |
| | Frequency | Hz | 60 | | |
| | Rated output | kVA | 150 | 87 | |
| | Rated output | kW | 120 | 87 | |
| | Voltage | V | 240 | 480 | 240/120 |
| | Current | A | 361 | 180 | 363 |
| Engine | Model | | ISUZU BH- 6HK1X | | |
| | Type | | 4-cycle, water-cooled, direct injection, turbo charged, intercooled | | |
| | Number of cylinders | | 6 | | |
| | Total displacement | cu. in. (L) | 475 (7.790) | | |
| | Rated output | hp (kW) | 190.4 (142) | | |
| | Revolution per minute | rpm (min ⁻¹) | 1,800 (1,800) | | |
| | Lubricating oil capacity | gal. (L) | 10.0 (38) | | |
| | Coolant capacity (including radiator) | gal. (L) | 6.7 (25.5) | | |
| | Battery | | 95D31×2 (24V) | | |
| | Fuel tank capacity | gal. (L) | 215 (815) | | |
| General Specifications | Overall length | in. (mm) | 126 (3,190) | | |
| | Overall width | in. (mm) | 46 (1,180) | | |
| | Overall height | in. (mm) | 74 (1,880) | | |
| | Net dry mass (weight) | lbs (kg) | 6,007 (2,725) | | |
| | Operating mass (weight) | lbs (kg) | 7,628 (3,460) | | |
| Others | The capacity of oil fence | gal. (L) | 112 (423) | | |

8. Specifications

Unit : mm



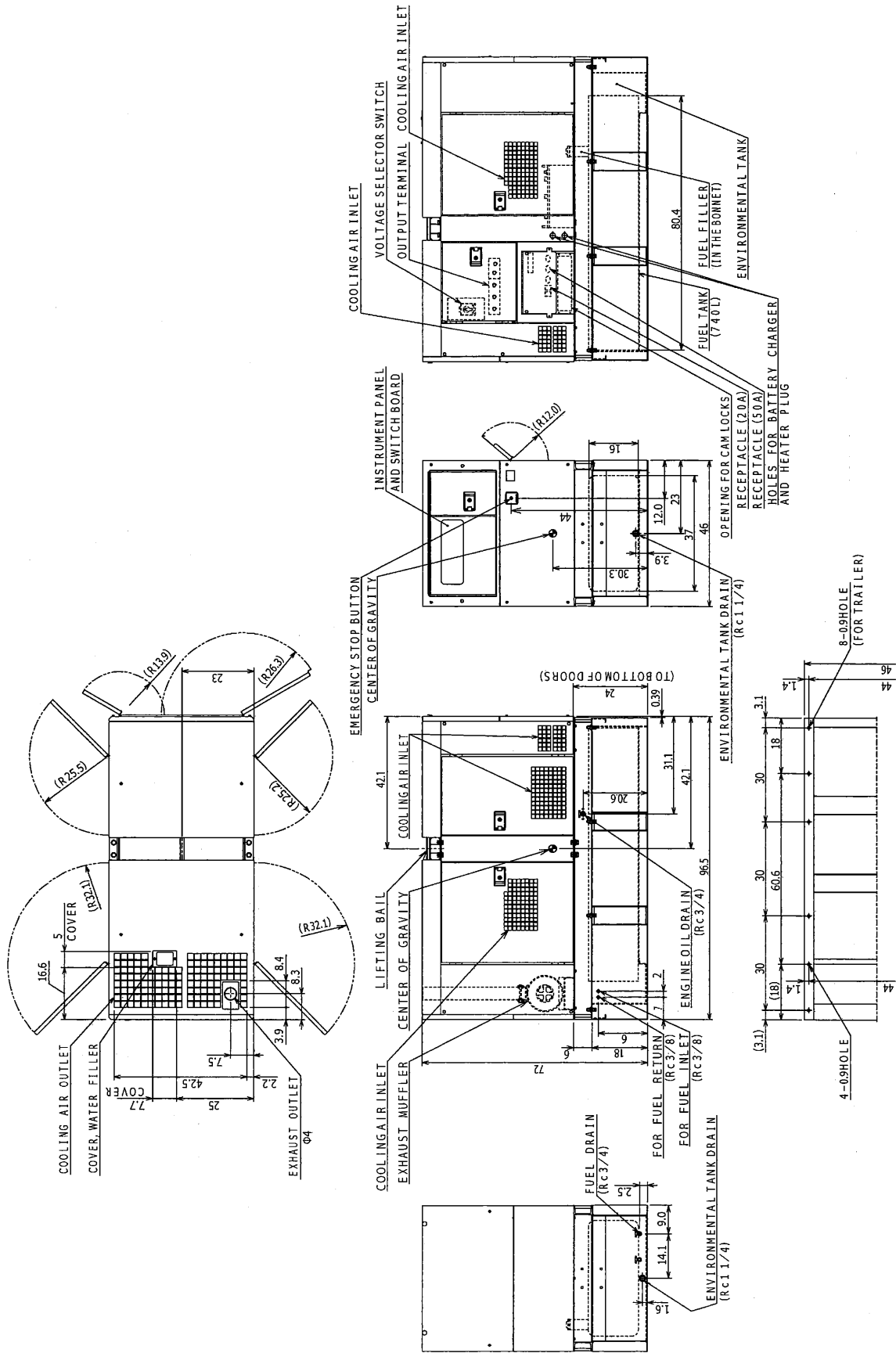
A140166-1

8. Specifications

SDG125S-8B1

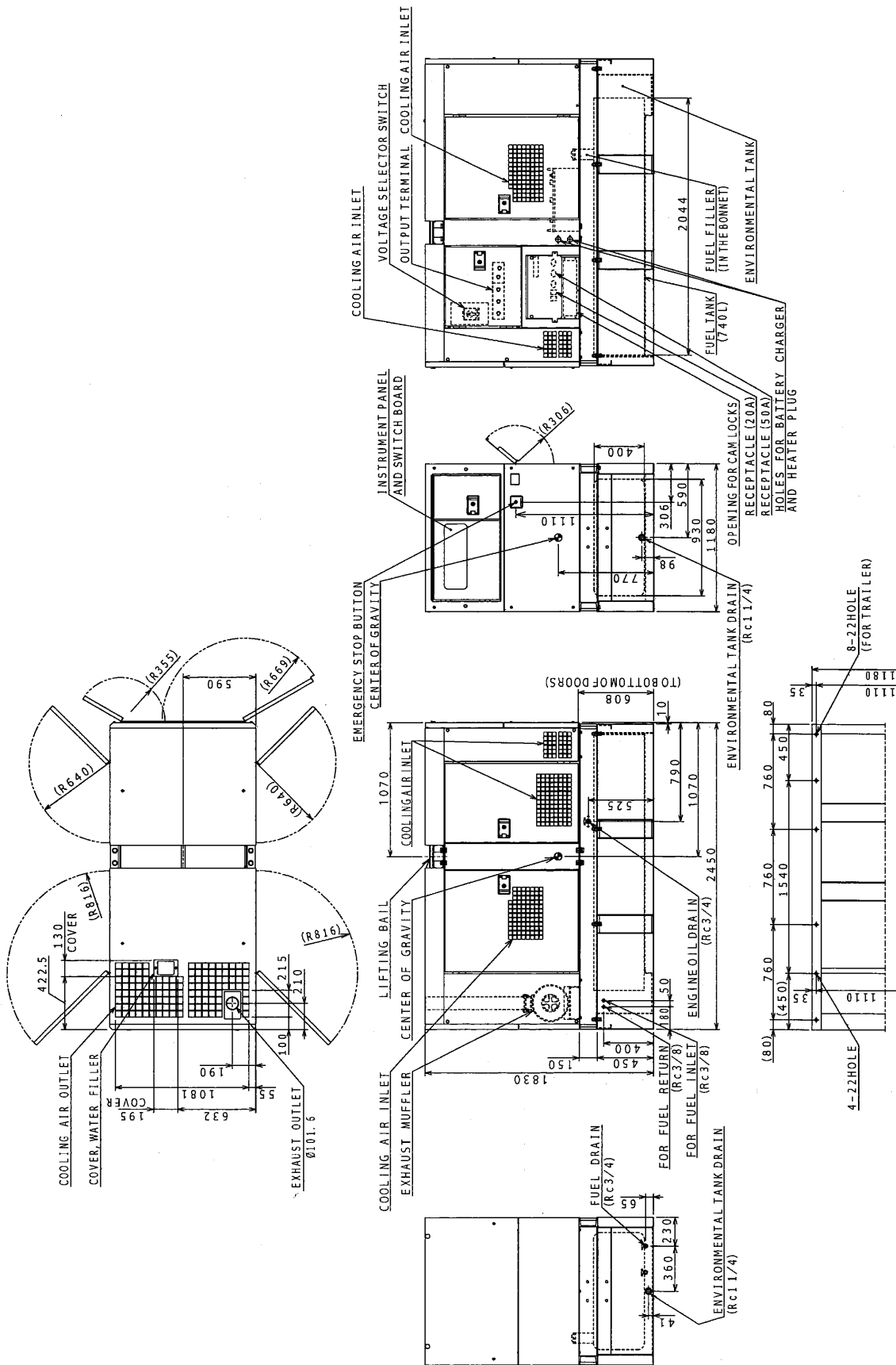
Unit : in.

A140167



8. Specifications

Unit : mm

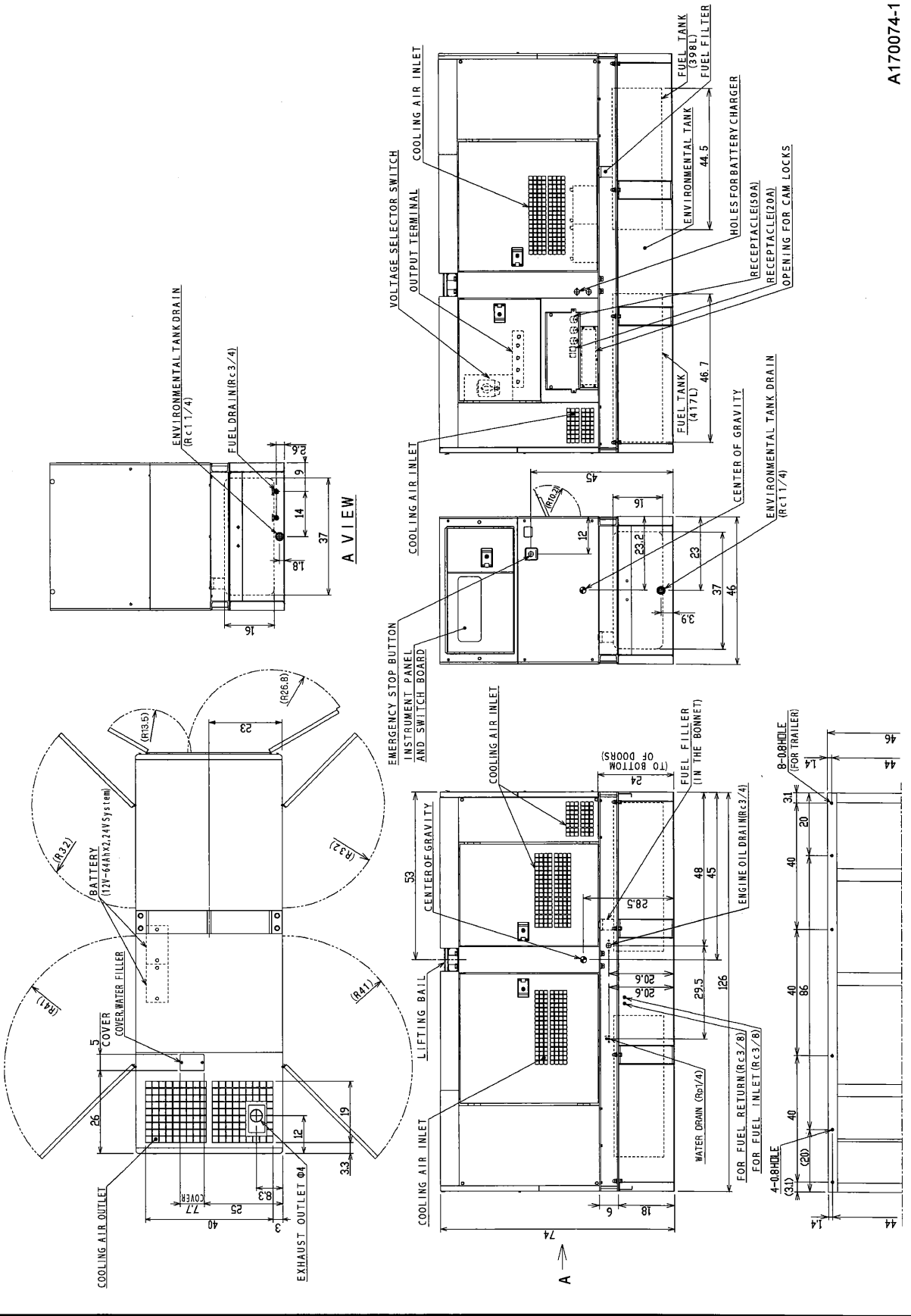


A140167-1

8. Specifications

SDG150S-8B1

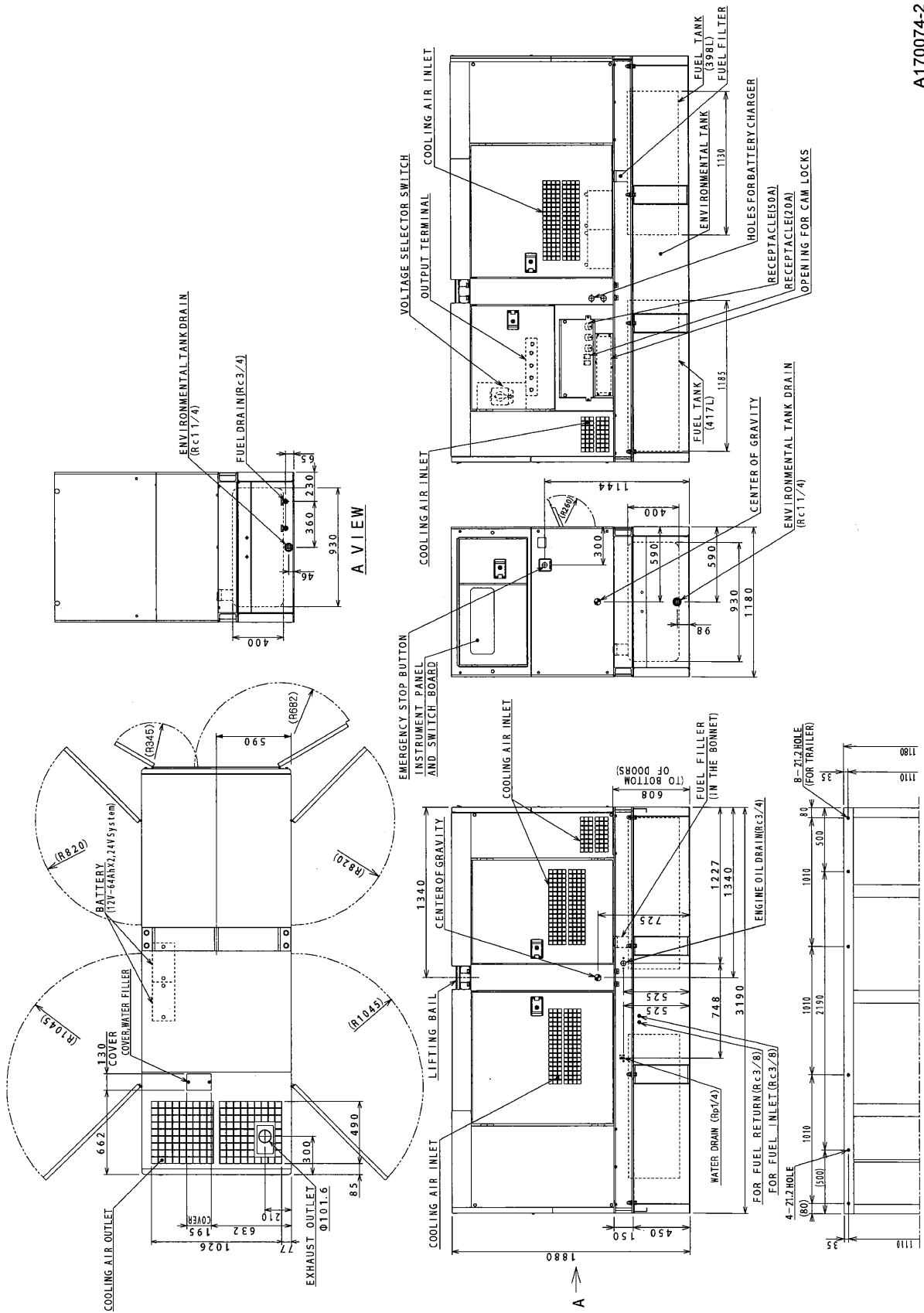
Unit : in.



A170074-1

8. Specifications

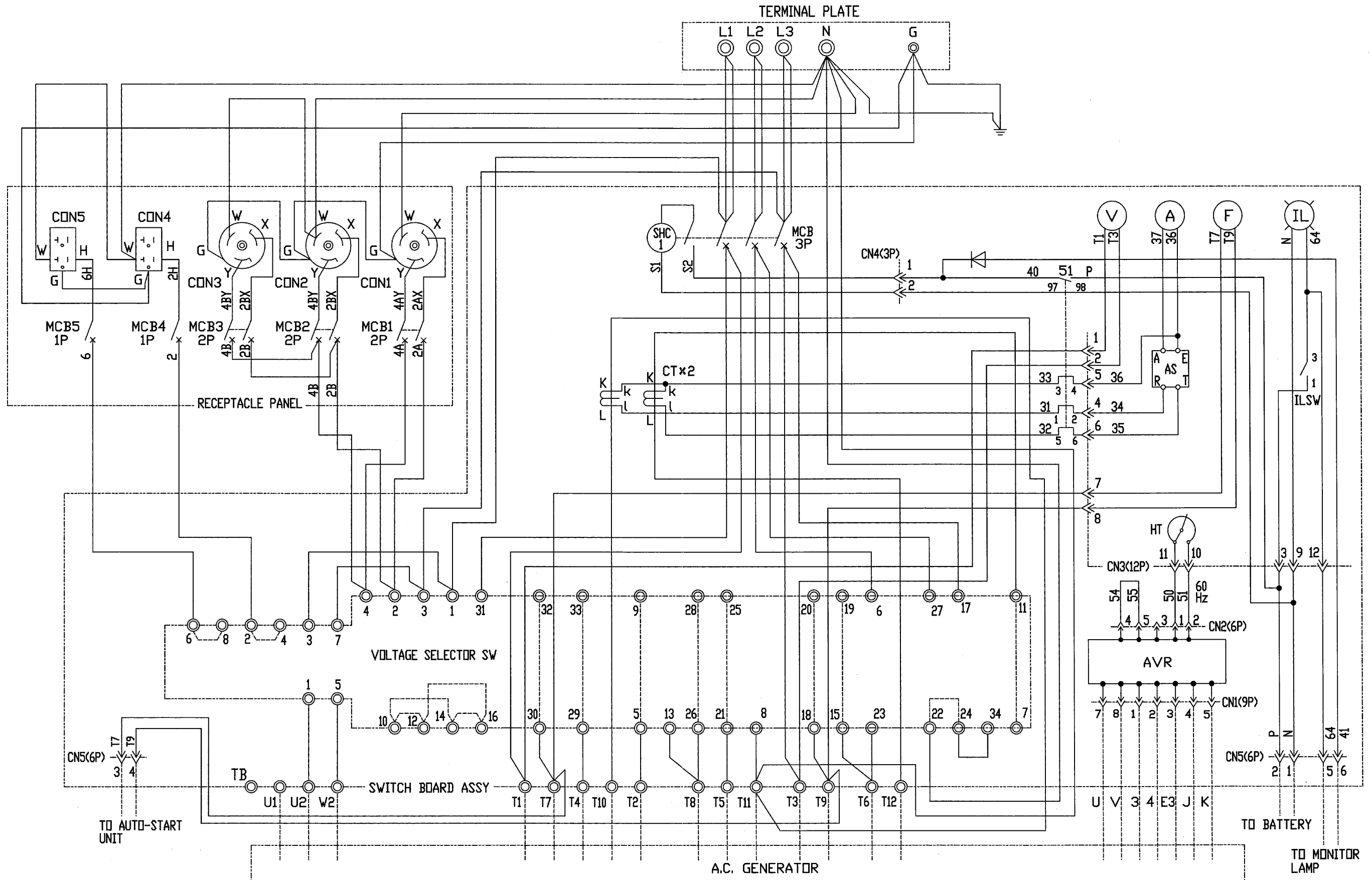
Unit : mm



A170074-2

9. Wiring Diagram

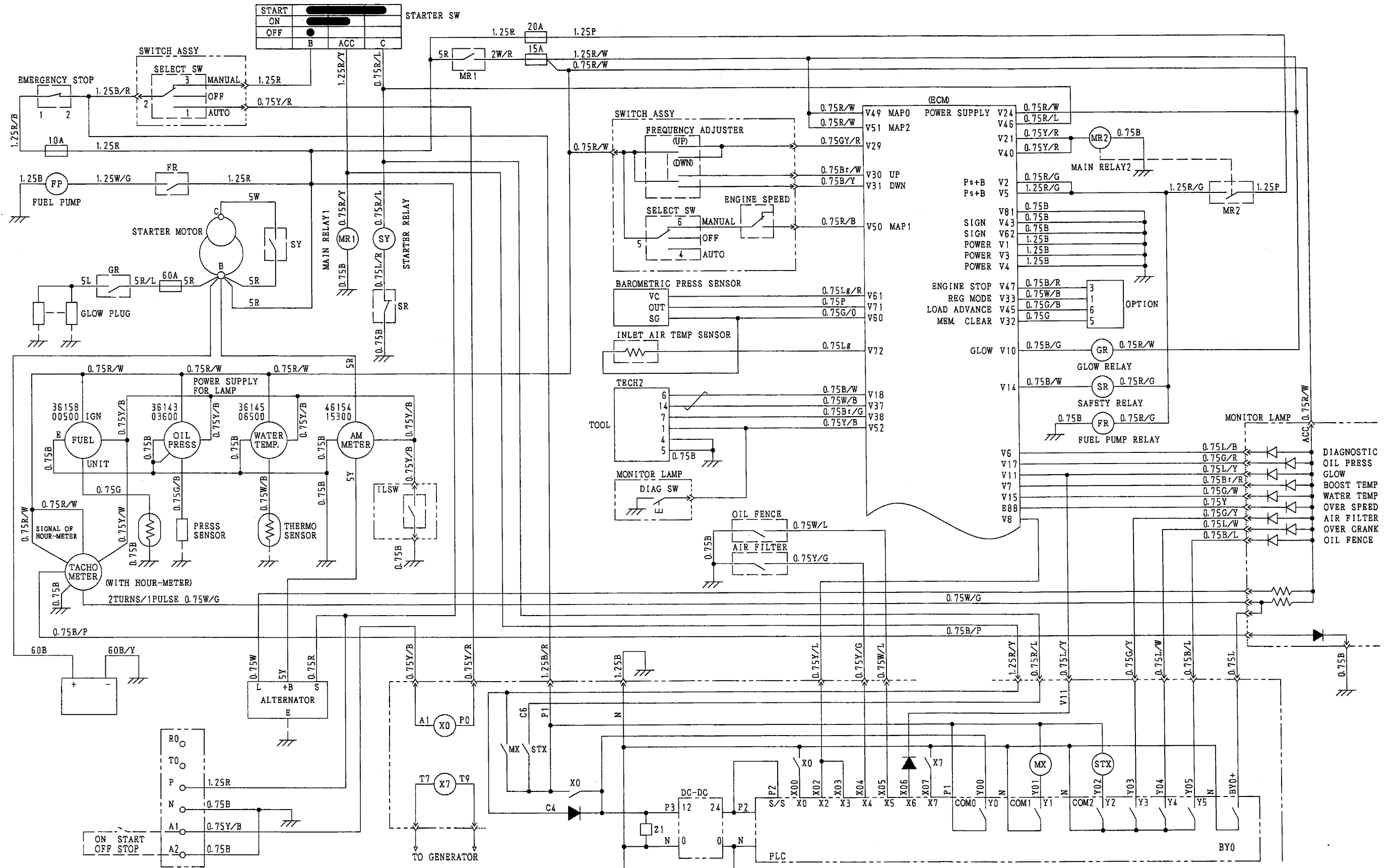
9.1 Generator Wiring Diagram



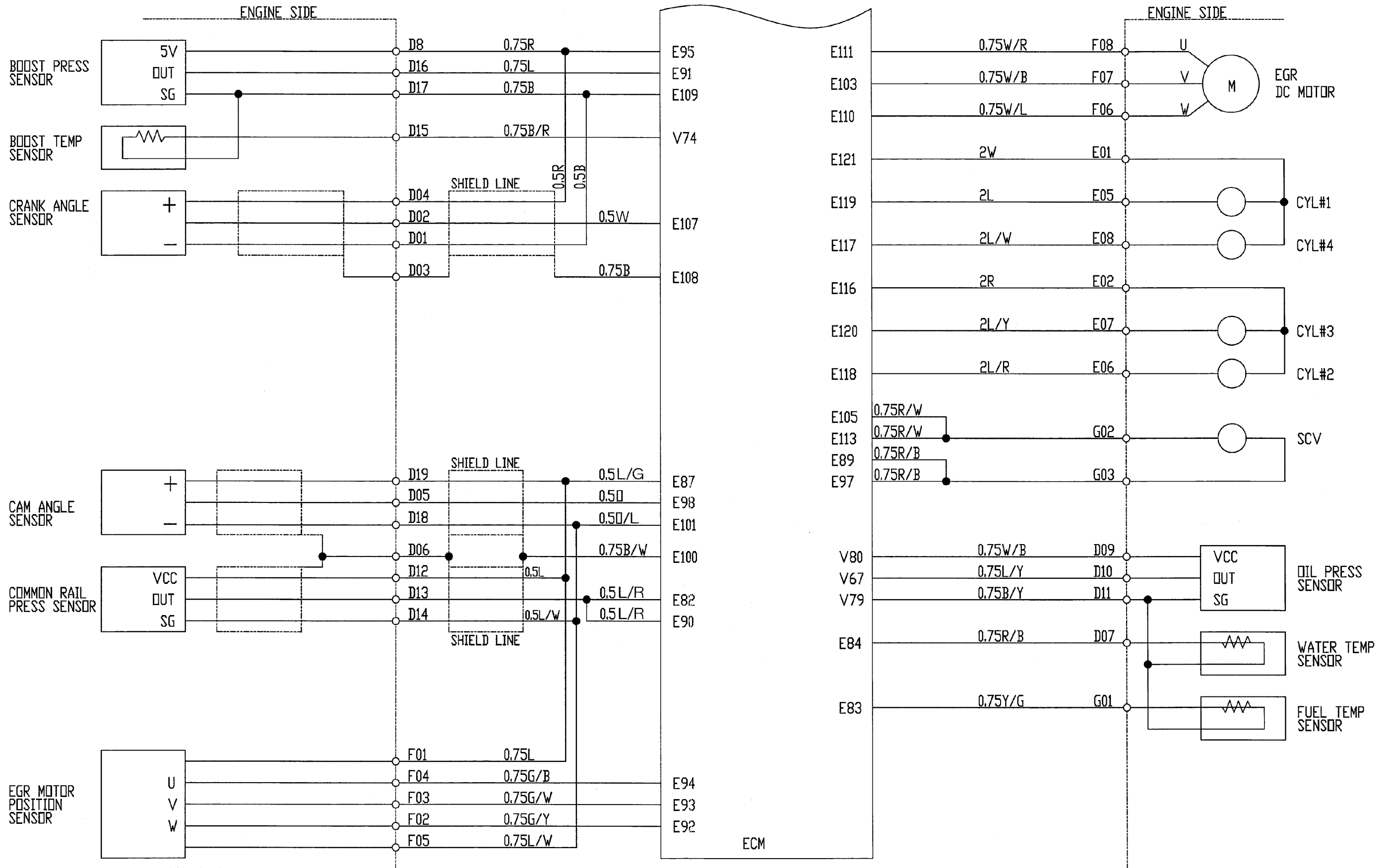
9. Wiring Diagram

9.2 Engine Wiring Diagram

SDG100,125S-8B1

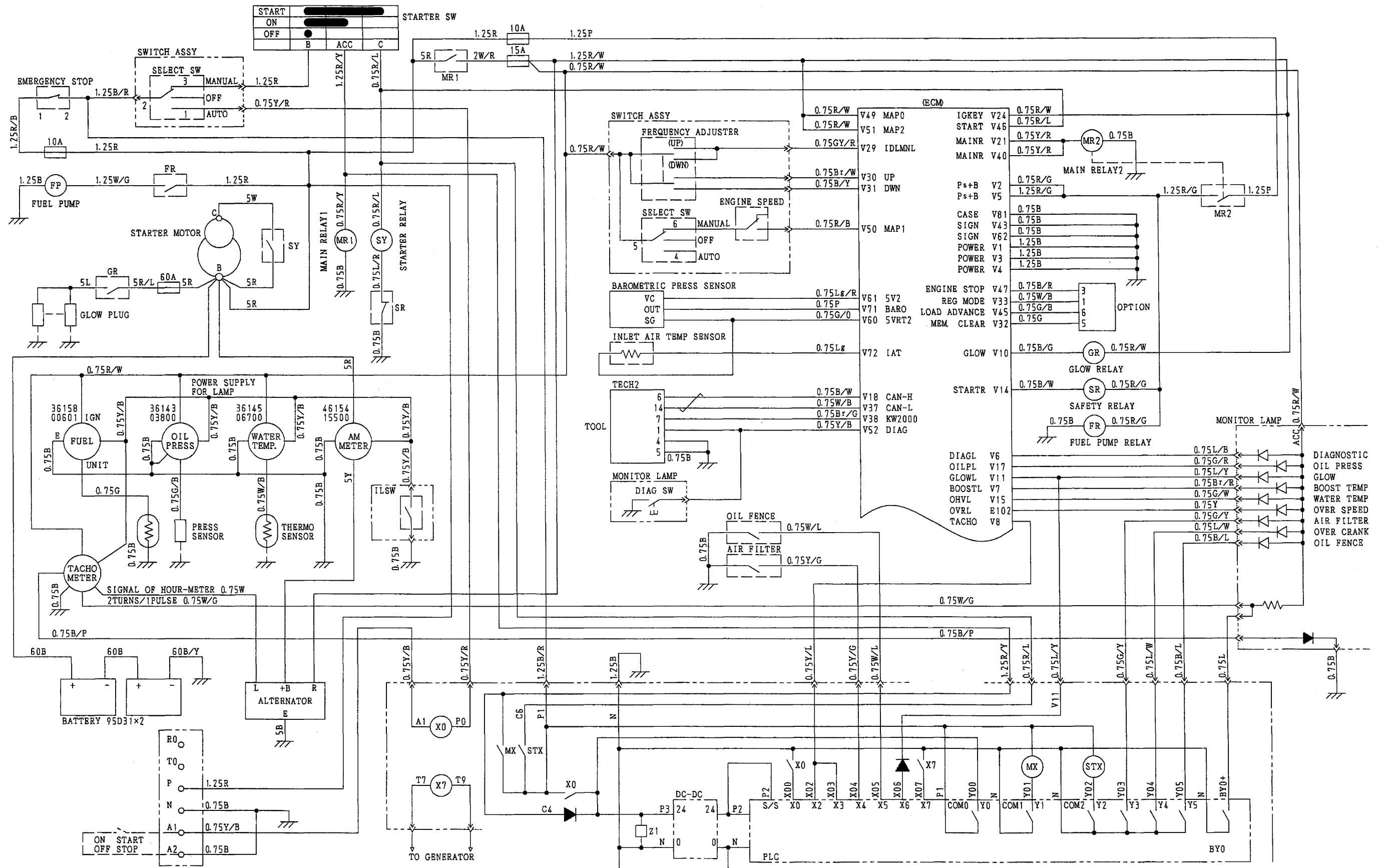


9. Wiring Diagram

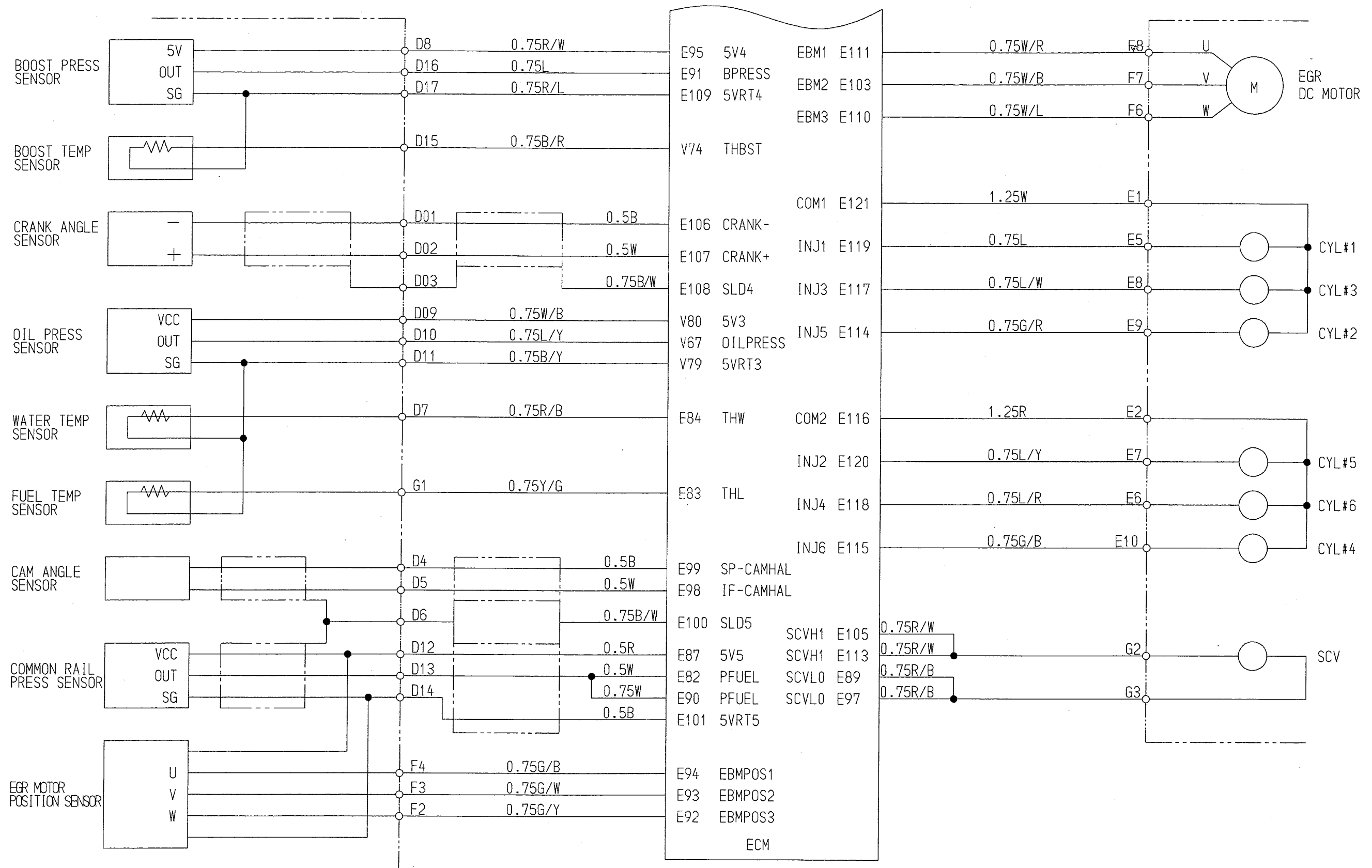


9. Wiring Diagram

SDG150S-8B1



9. Wiring Diagram





HOKUETSU INDUSTRIES CO., LTD.

8TH FLOOR SHINJUKU SAN-EI BLDG,
22-2 NISHI-SHINJUKU 1-CHOME, SHINJUKU-KU
TOKYO 160-0023 JAPAN
TEL:81-3-3348-7281
FAX:81-3-3348-7289
URL:<http://www.airman.co.jp>

Copyright (C) 2017 HOKUETSU INDUSTRIES CO., LTD. All Rights Reserved.

39600 73931

Printed MAY 2017

AIRMAN
HOKUETSU INDUSTRIES CO., LTD.